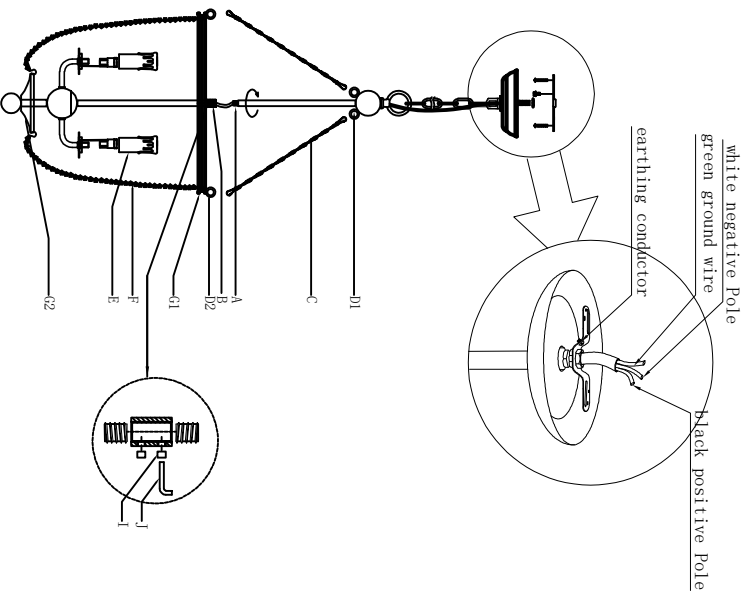




ASSEMBLY INSTRUCTIONS

Jenny Chandelier
SCH-168035

- (1) Important Notes: Prior to assembly, unwrap all parts and components on a carpeted or non-abrasive surface, then use clean hands to hang and install the chandelier.
- (2) Screw (A) TUBE in (B) NUT tightly.
- (3) Hang (C) TWISTY CHAIN to (D1) and (D2) RINGS
- (4) Hang up the chandelier. Cover socket by (E) Candle Sleeve 3pcs.
- (5) Hang (F) STONE BEADS 45pcs to (G1) TOP RING and (G2) BOTTOM RING
- (6) Make sure all things are in correct place then tighten the screw (I) using the Allen wrench (J) provided.
- (7) Thread wire through chain every 3 links



ASSEMBLY INSTRUCTIONS

Jenny Chandelier
SCH-168035

- (1) Important Notes: Prior to assembly, unwrap all parts and components on a carpeted or non-abrasive surface, then use clean hands to hang and install the chandelier.
- (2) Screw (A) TUBE in (B) NUT tightly.
- (3) Hang (C) TWISTY CHAIN to (D1) and (D2) RINGS
- (4) Hang up the chandelier. Cover socket by (E) Candle Sleeve 3pcs.
- (5) Hang (F) STONE BEADS 45pcs to (G1) TOP RING and (G2) BOTTOM RING
- (6) Make sure all things are in correct place then tighten the screw (I) using the Allen wrench (J) provided.
- (7) Thread wire through chain every 3 links

