



ASSEMBLY INSTRUCTIONS

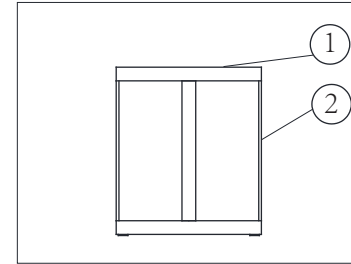
Jess side table
SCH-168130

TOOLS INCLUDE:

| NO. | Hardware List | QTY |
|-----|---------------|------|
| A | Glass pad | 4pcs |

PARTS INCLUDE:

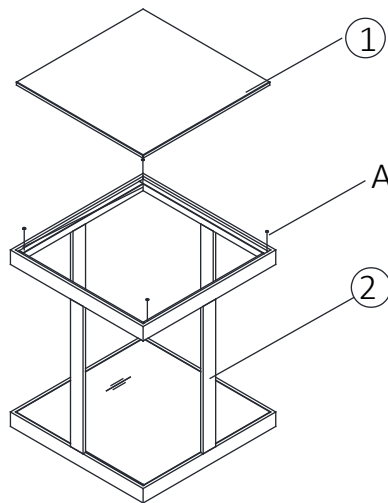
- 1- Glass x1pc
- 2- Frame x1pc



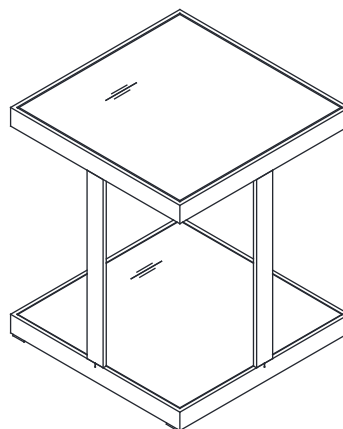
Prior to assembly, unwrap all the parts and components on a carpeted or non-abrasive surface.

Step 1: Unwrap the frame and the glass from the packaging.

Please put the frame (2) on the floor. then put the glass pad (A) on the frame. and put the glass (1) on the glass pad correctly.



Step 2: Please adjust to proper position for the jess side table during use.



We hope you enjoy this Gabby purchase. Shown: Jess side table by

