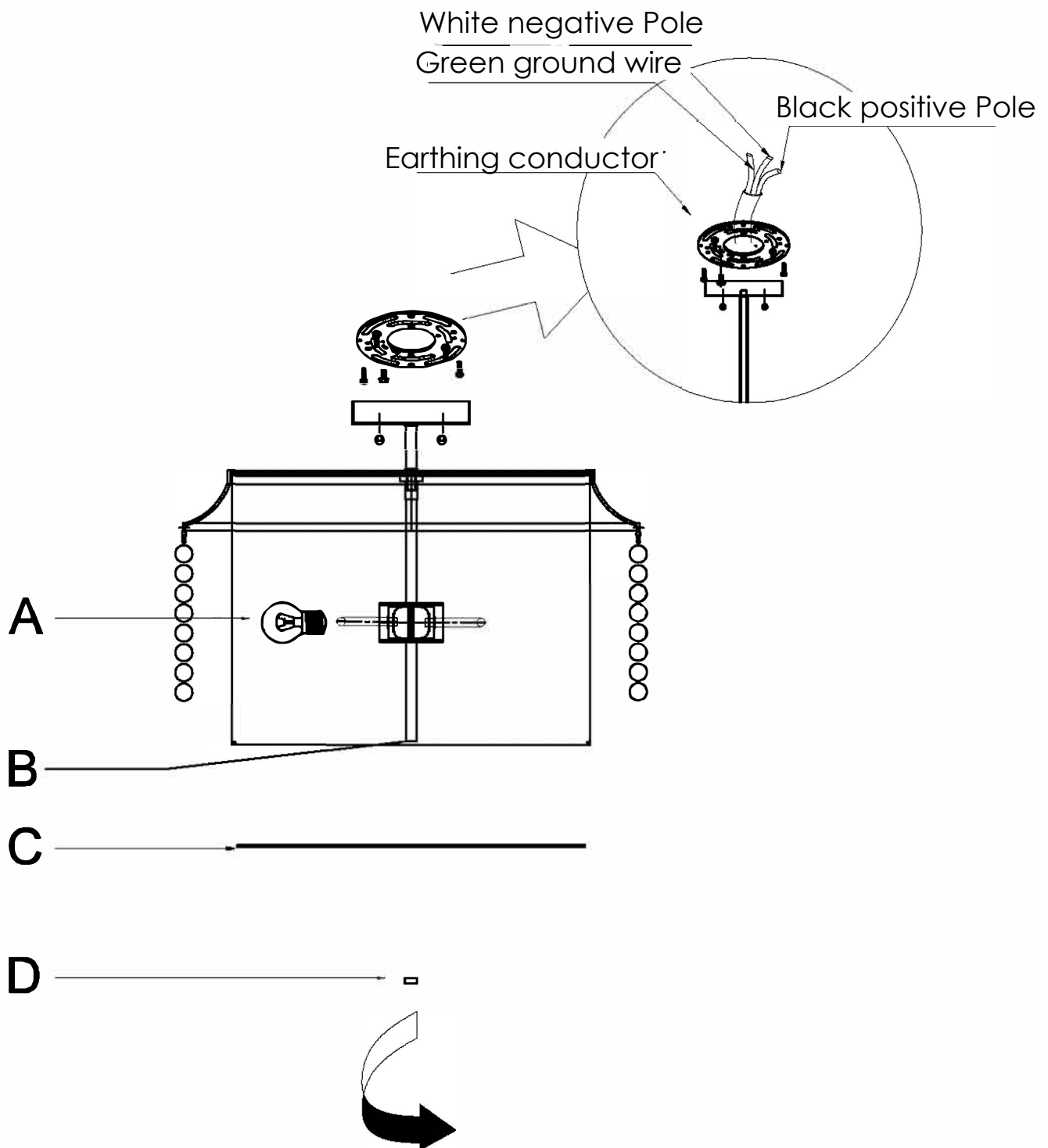




ASSEMBLY INSTRUCTIONS

Joanna Flush Mount
SCH-170470

- (1) Insert Bulb (A), NOT INCLUDED. We recommend using frosted LED bulbs to reduce shadow projection on ceiling
- (2) Attach Diffuser (C) to bottom and through Rod (B).
- (3) Secure Diffuser (C) by screwing Finial (D) to Rod (B) tightly.





INSTALLATION INSTRUCTIONS

Chandeliers & Pendants

WARNING:

1. Installation of this hardwired fixture should be performed by a qualified electrician.
2. Due to risk of electrical shock, be certain that the electrical supply circuit to the fixture is turned off at the main fuse or circuit breaker before attempting any installation procedure.
3. This fixture is in compliance with UL requirements. Any tampering will void UL certification.
4. Do not exceed the maximum wattage rating.
5. Before beginning assembly, please read and follow each step in these instructions.

Parts:

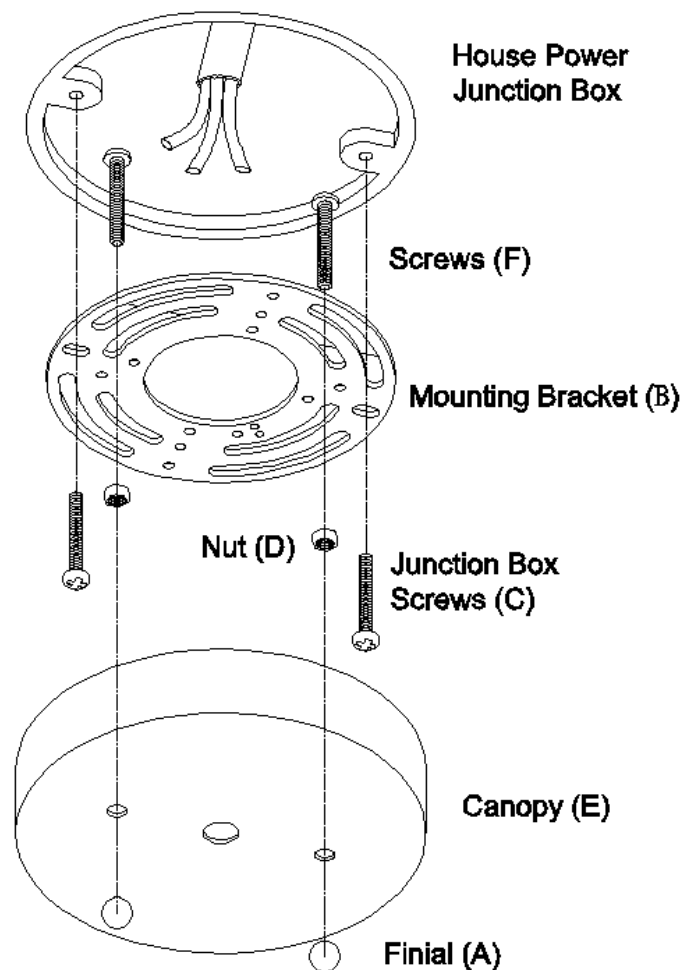
- 1x Black Positive Wire
- 1x White Negative Wire
- 1x Green/Silver Ground Wire
- 2x Finial (A)
- 1x Mounting Bracket (B)
- 2x Junction Box Screws (C)
- 2x Nut (D)
- 1x Canopy (E)
- 2x Screw (F)

Installation:

1. Shut off the power at the circuit breaker before attempting installation.
2. Complete assembly of the fixture as directed by the Assembly Instructions included.
3. Connect to the building wires as shown in Fig. 2. Tuck the wires inside the junction box.
4. Attach the Mounting Bracket (B) to the Junction Box using the Junction Box Screws (C) provided.
5. Attach the Canop (E) through Screw (F) and secure by Finial (A)

(continued on next page)

Fig. 1



Components may vary by model

6. Restore power at the circuit breaker and test the fixture.

Installation is complete.

Fig. 2

