



ASSEMBLY INSTRUCTIONS

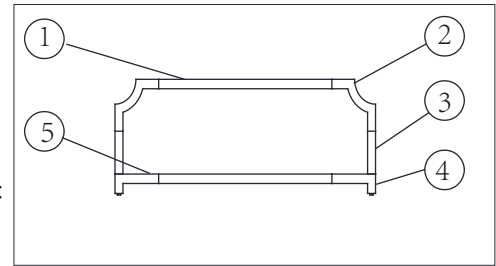
Kensley coffee table
SCH-167040

TOOLS INCLUDE:

NO.	Hardware List	QTY
A	Hex head bolt 1/4"x19MM	8pcs
B	Allen wrench 4MM	1pc
C	Glass pad	8pcs

PARTS INCLUDE:

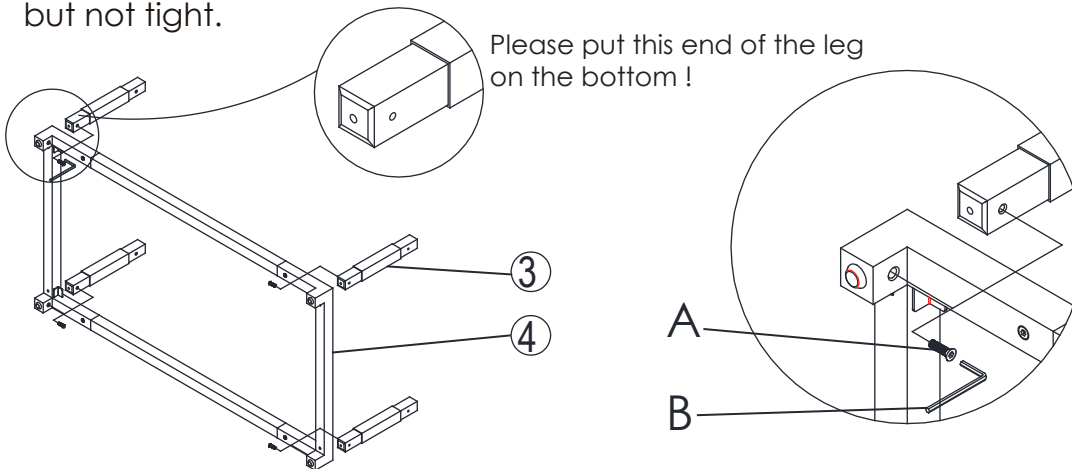
- 1-small glass top x1 pc
- 2-upper frame x1 pc
- 3-leg x4 pcs
- 4-bottom frame x1 pc
- 5-larger glass top x1 pc



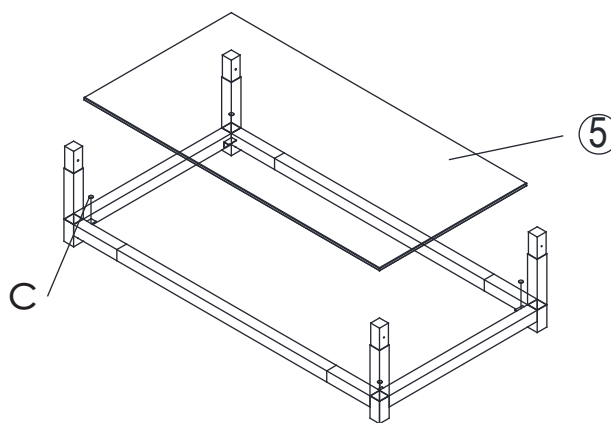
Prior to assembly, unwrap all the parts and components on a carpeted or non-abrasive surface.

Step 1: Unwrap the table parts from the packaging.

Insert the leg (3) to the bottom frame (4) with allen wrench (B) to hex head bolts (A), but not tight.



Step 2: Put the glass pad (C) on the frame. Then put the larger glass top (5) on the glass pad carefully.

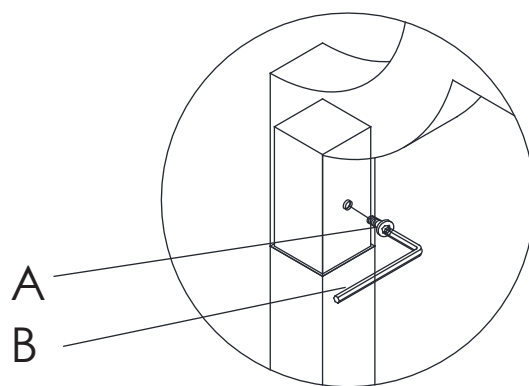
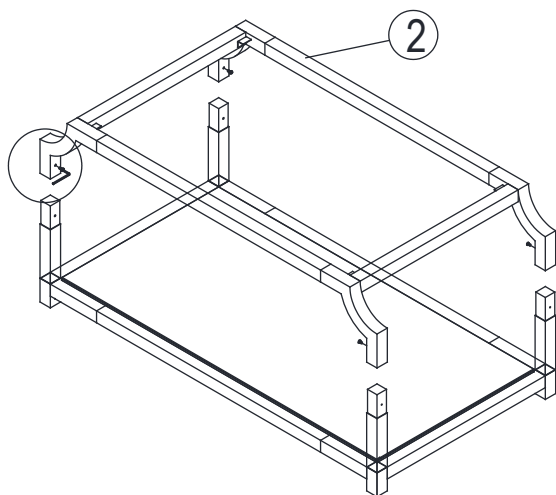




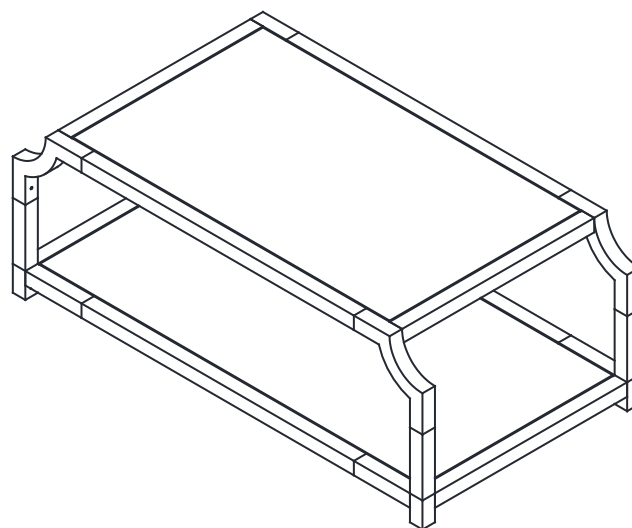
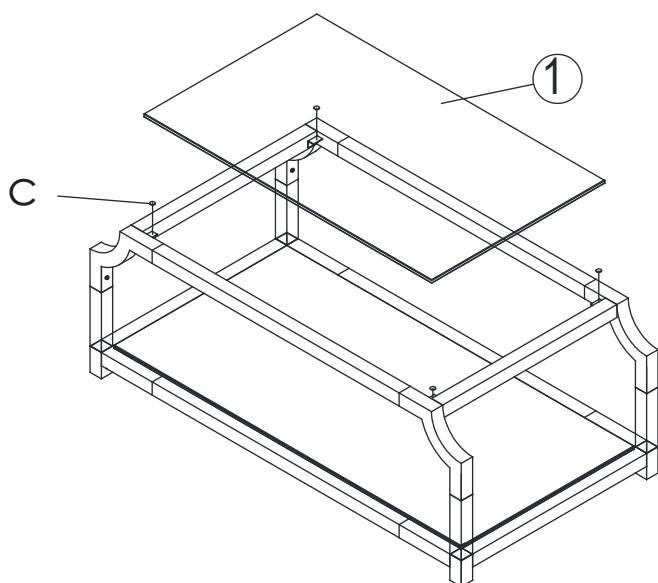
ASSEMBLY INSTRUCTIONS

Kensley coffee table
SCH-167040

Step 3: Attach the upper frame (2) to the legs with allen wrench (B) to hex head bolts (A), but not tight.



Step 4: Put the glass pad (C) on the frame. Then put the small glass top (1) on the glass pad carefully. Tighten bolts securely.



We hope you enjoy this Gabby purchase. Shown: Kensly coffee table by

