



# ASSEMBLY INSTRUCTIONS

Acrylic bar & counter stools

KING SCH-151345/151140/151620/151630

ANGELA SCH-151330/151130/151365

JOHNSON SCH-151340/151135/151385

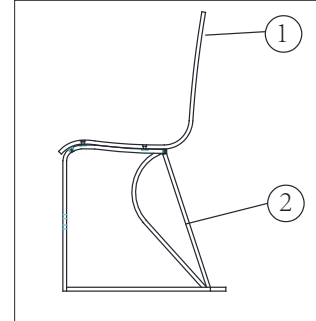
## TOOLS INCLUDE:

NO.	Hardware List	QTY
A	Hex head bolt 1/4"x1"	4pcs
B	Lock nut 1/4"	4pcs
C	Plastic spacer	4pcs
D	Lock washer 1/4"	4pcs
E	Flat washer 1/4"	4pcs
	Crescent wrench 10MM	1pc
	Hex wrench 4MM	1pc

## PARTS INCLUDE:

1-acrylic seat x1pc

2-base x1pc



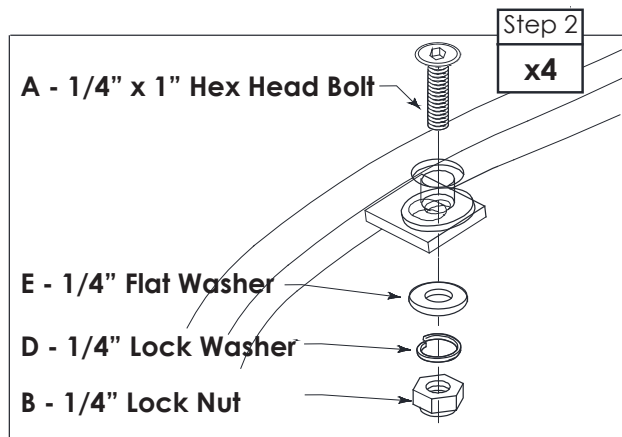
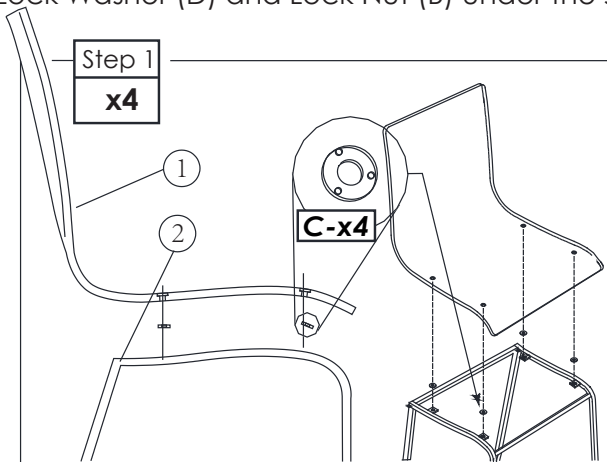
WE RECCOMEND 2 ADULTS FOR EASE OF ASSEMBLY.

Prior to assembly, unwrap all the parts and components on a carpeted or non-abrasive surface.

**Step 1:** Unwrap the base and the seat from the packaging.

Place the seat (1) on top of the base (2) with 4 Plastic Spacers (C) aligned to the 4 holes in the top of the base.

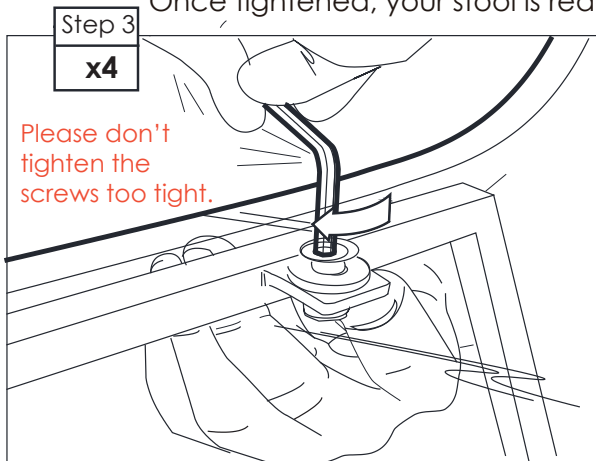
**Step 2:** Inset Hex Head bolt (A) through the 4 holes in the seat (1). Next, thread the Washer (E), Lock Washer (D) and Lock Nut (B) under the seat (1) and hand-tighten.



**Step 3:** Adjust seat (1) to align with base (2) before tightening by wrenches.

Use the Hex wrench & 10mm Crescent Wrench provided to tighten bolts by hand.

Once tightened, your stool is ready to use. Enjoy!



We hope you enjoy this Gabby purchase. Shown: JOHNSON BAR STOOL by

