

SUMMER *SC* CLASSICS

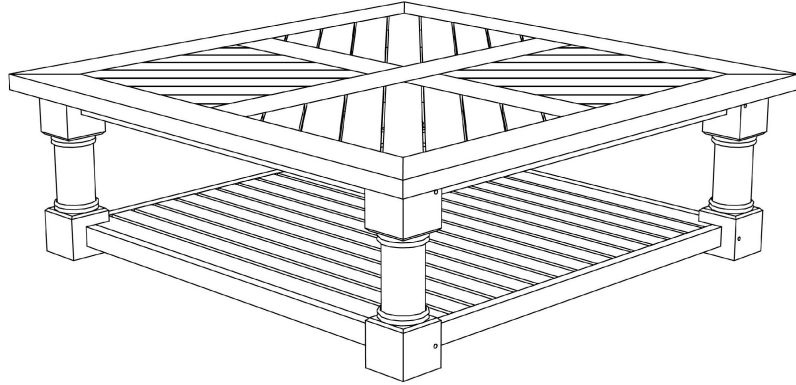
LAKESHORE 48" SQUARE CT ASSEMBLY INSTRUCTION

HARDWARE INCLUDE :

1. 8 – teak dowel L
2. 2 – teak dowel M

PARTS INCLUDE :

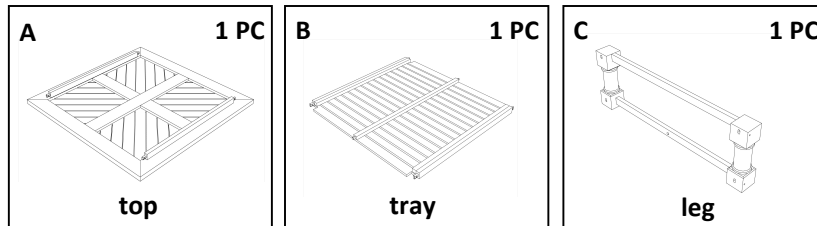
- A. 1 – Top
- B. 1 – Tray
- C. 2 – Leg



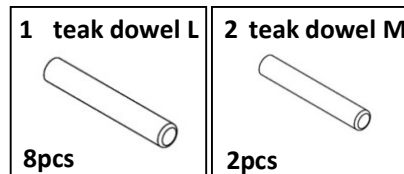
TOOLS REQUIRED :

1. – Hammer (Rubber) - by customer
2. – Sanding for smooth edge - provided

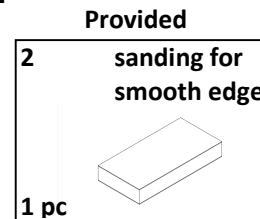
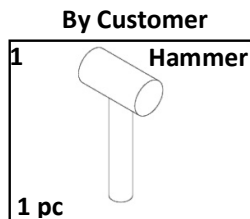
PARTS :



HARDWARES :



TOOLS REQUIRED :



SUMMER *SC* CLASSICS

LAKESHORE 48" SQUARE CT ASSEMBLY INSTRUCTION

