

SUMMER *SC* CLASSICS

LAKESHORE DINING TABLE ASSEMBLY INSTRUCTION

HARDWARE INCLUDE :

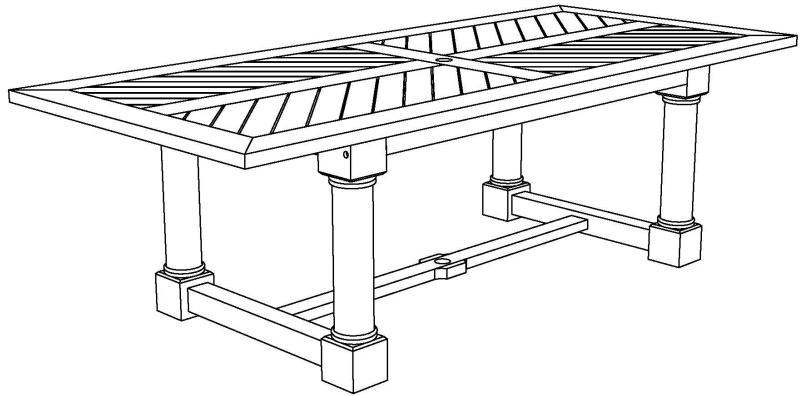
1. 14 – bolts
2. 4 – teak dowel

PARTS INCLUDE :

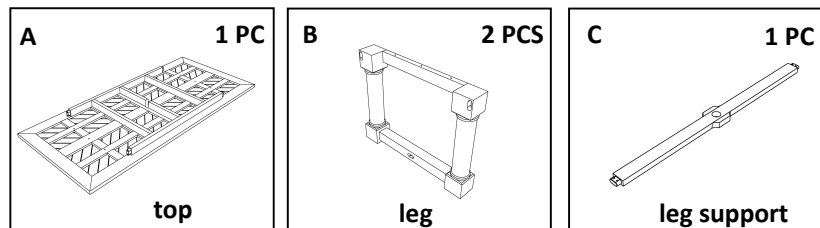
- A. 1 – Top
- B. 2 – Leg
- C. 1 – Leg support

TOOLS REQUIRED :

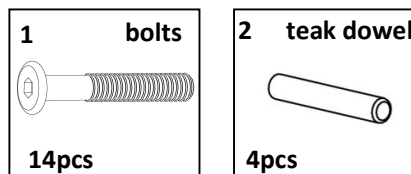
1. – Hammer (Rubber) - by customer
2. – Allen Key - provided
3. – Sanding for smooth edge - provided



PARTS :

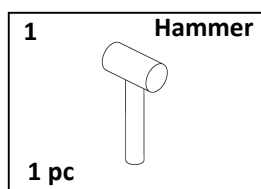


HARDWARES :

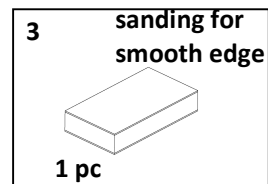
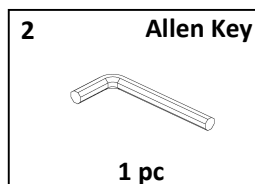


TOOLS REQUIRED :

By Customer



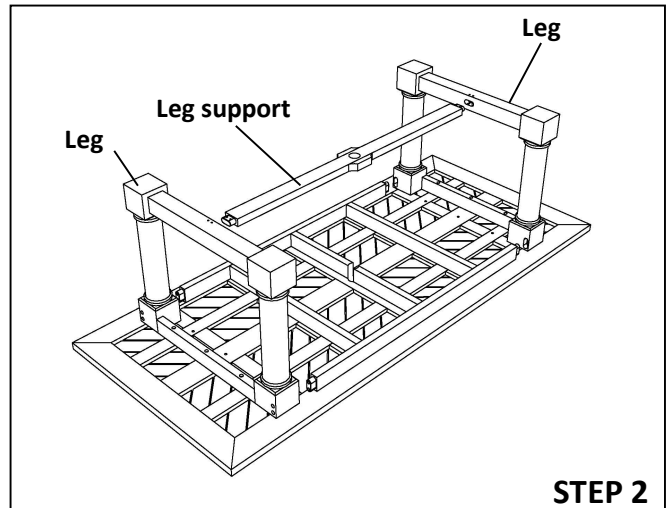
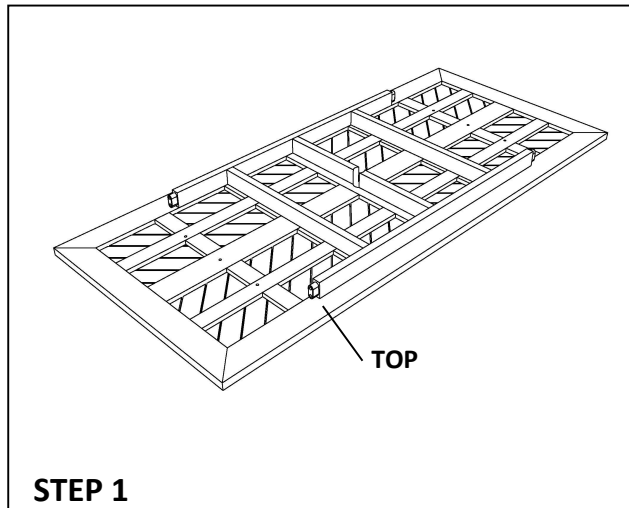
Provided



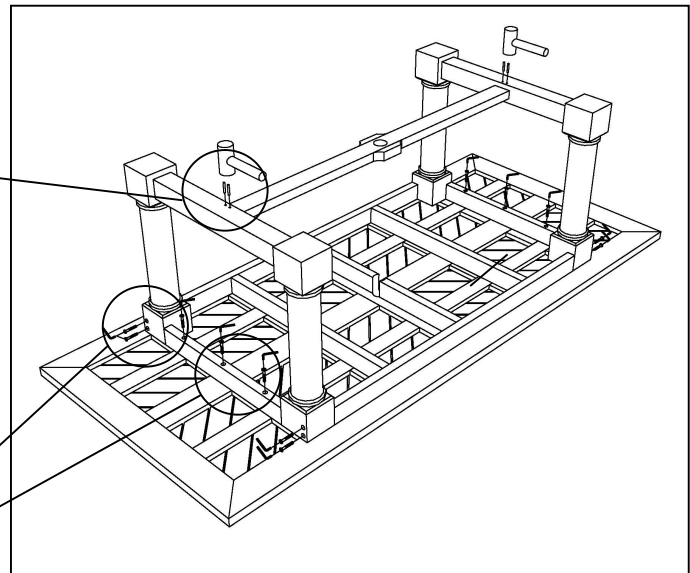
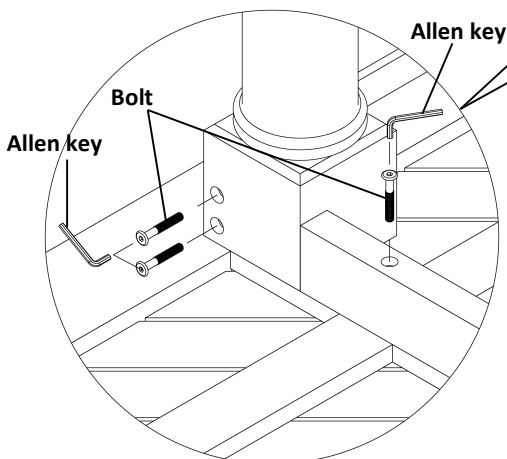
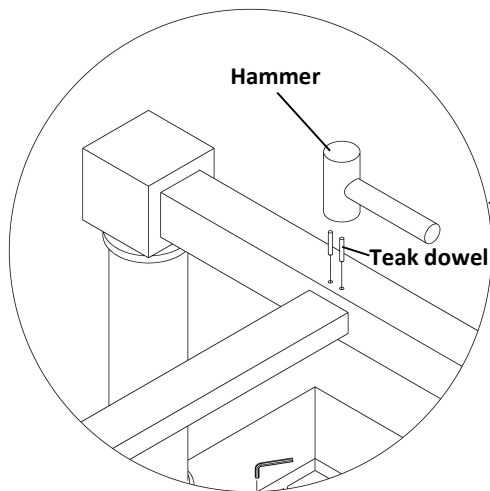
SUMMER CLASSICS

LAKESHORE DINING TABLE

ASSEMBLY INSTRUCTION



2 person needed to assemble. Place TOP on flat floor, place leg mortise holes to apron tenons & leg support tenons.



Secure the legs with bolts using allen key. Carefully hammer in all wooden dowels to secure the leg support. Make sure the dowel length corresponds to the holes.