

SUMMER CLASSICS

LAKESHORE 72" ROUND DT ASSEMBLY INSTRUCTION

HARDWARE INCLUDE :

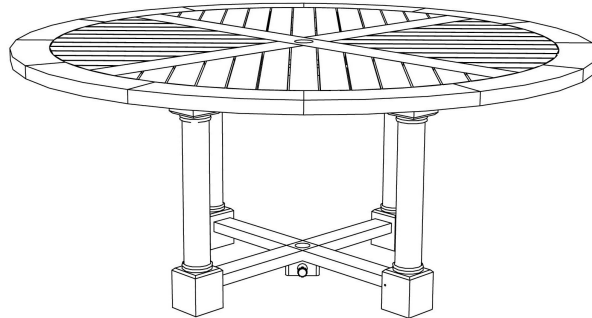
1. 8 – washer
2. 8 – spring washer
3. 8 – nut
4. 4 – teak dowel
5. 1 – thumb screw

PARTS INCLUDE :

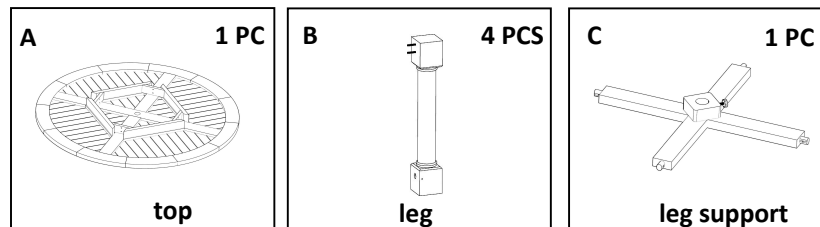
- A. 1 – Top
- B. 4 – Leg
- C. 1 – Leg support

TOOLS REQUIRED :

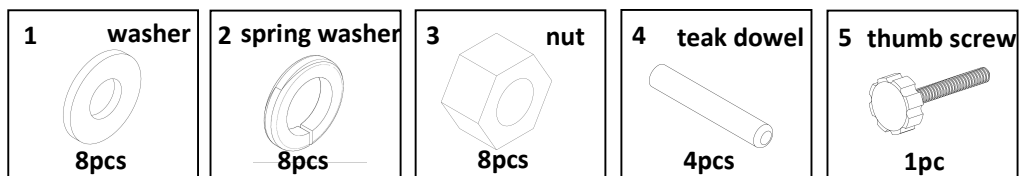
1. – Spanner - provided
2. – Sanding for smooth edge - provided



PARTS :

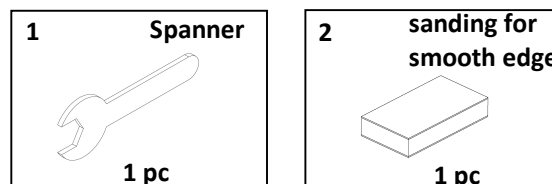


HARDWARES :



TOOLS REQUIRED :

Provided



SUMMER *SC* CLASSICS

LAKESHORE 72" ROUND DT ASSEMBLY INSTRUCTION

