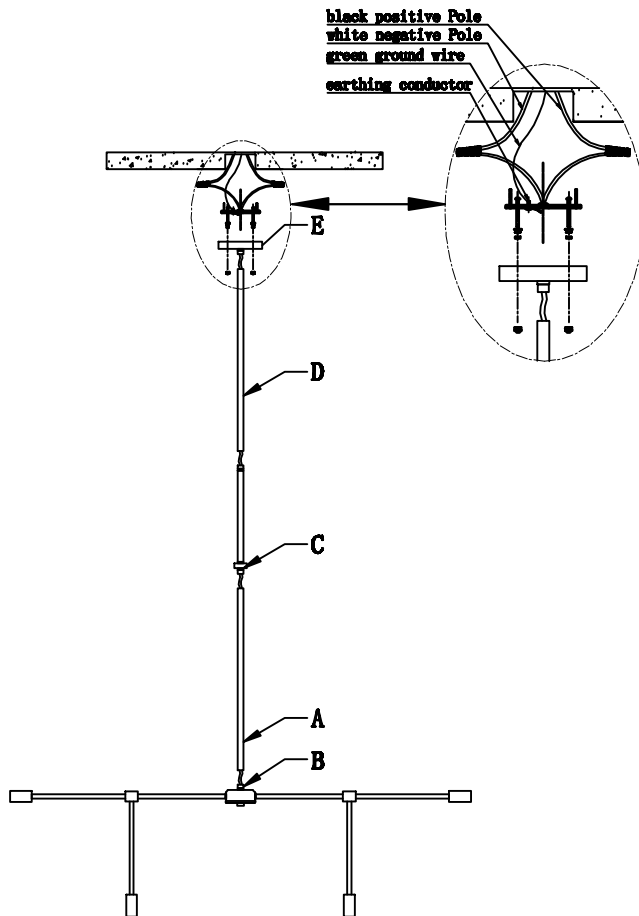




ASSEMBLY INSTRUCTIONS

Lanier Chandelier
SCH-166025

1. Carefully remove all lamp parts from the box.
2. Screw (A) center pole to (B) chandelier base tightly.
3. Screw (C) center pole to (A) center pole tightly.
4. Screw (D) center pole to (C) center pole tightly.
5. Screw (E) canopy to (D) center pole tightly.
6. Install the canopy to the ceiling and wiring correctly (CONSULT A PROFESSIONAL ELECTRICIAN FOR INSTALLATIONS WITH UNIQUE WIRING APPLICATIONS.)
7. Adjust the four arms to the correct direction.



ASSEMBLY INSTRUCTIONS

Lanier Chandelier
SCH-166025

1. Carefully remove all lamp parts from the box.
2. Screw (A) center pole to (B) chandelier base tightly.
3. Screw (C) center pole to (A) center pole tightly.
4. Screw (D) center pole to (C) center pole tightly.
5. Screw (E) canopy to (D) center pole tightly.
6. Install the canopy to the ceiling and wiring correctly (CONSULT A PROFESSIONAL ELECTRICIAN FOR INSTALLATIONS WITH UNIQUE WIRING APPLICATIONS.)
7. Adjust the four arms to the correct direction.

