



INSTALLATION INSTRUCTIONS

Leo Chandelier - Brass
SCH-170485

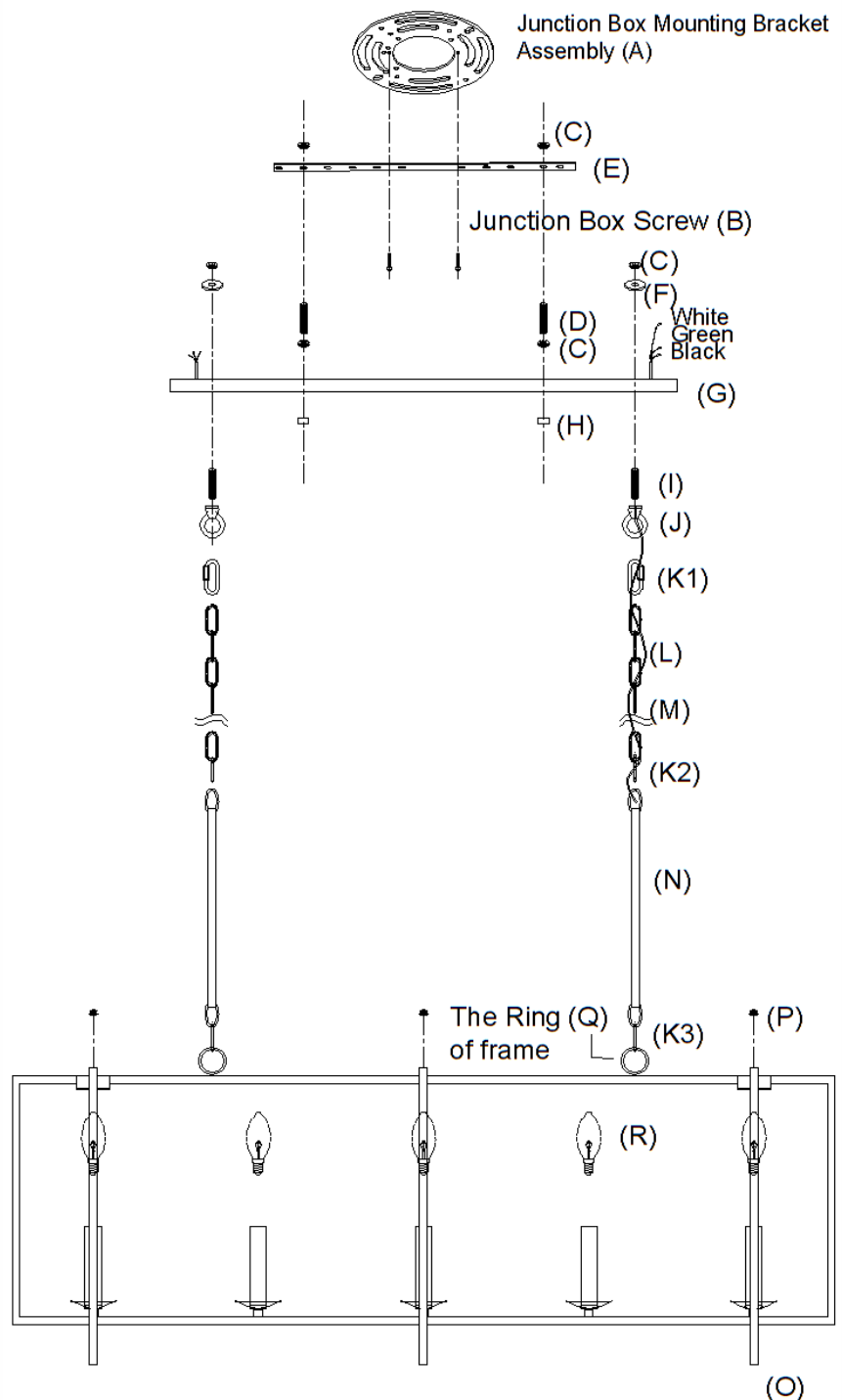
WARNING:

1. Installation of this hardwired fixture should be performed by a qualified electrician.
2. Due to risk of electrical shock, be certain that the electrical supply circuit to the fixture is turned off at the main fuse or circuit breaker before attempting any installation procedure.
3. This fixture is in compliance with UL requirements. Any tampering will void UL certification.
4. Do not exceed the maximum wattage rating.
5. Before beginning assembly, please read and follow each step in these instructions.

Parts:

- 1x Junction Box Mounting Bracket Assembly (A)
- 2x Junction Box Screws (B)
- 8x Hex Nut (C)
- 2x Hex Bolt (D)
- 1x Long Mounting Bracket (E)
- 2x Washer (F)
- 1x Canopy (G)
- 2x Screw Cap (H)
- 2x Threaded Post (I)
- 2x Hanging Ring (J)
- 2x Adjustable Links (K1)(K2)(K3)
- 2x Wire (L)
- 2x Black Positive Wire
- 2x White Negative Wire
- 2x Green/Silver Ground Wire
- 2x 6 feet -- Chain (M)
- 2x Hanging Rods (N)
- 3x Brass Ring (O)
- 3x Screw Cap (P)

Fig. 1



Installation:

1. Shut off the power at the circuit breaker before attempting installation.
2. Measure & Determine desired length of chain (M) and remove excess by separating one link using pliers. Discard excess chain
3. Connect the top of each length of chain (M) to the hanging rings (J) using Adjustable Links (K1). Connect bottom of each chain (M) to Hanging Rod (N) using Link(K2). Connect Hanging Rod (N) to Ring (Q) of frame using Link (K3). Attach Brass Ring (O) to frame by using Screw Cap (P) tightly.
4. Thread wire (L) through the chain (M) every 3 links, through the Hanging Ring (J), Threaded Post (I) and Canopy (G)
5. Attach the Long Mounting Bracket (E) to the Junction Box Mounting Bracket (A) using Screw (B). Attach Bracket (A) to the Junction Box.



INSTALLATION INSTRUCTIONS
Leo Chandelier-Brass
SCH-170485

6. Take the Long Mounting Bracket (E) through Thread Hex Bolts (D) as shown in Figure 1.

7. With the chandelier supported, Connect the green/silver, white & black wires to the building wires as shown in Fig. 2. Tuck the wires inside the junction box.

8. Lift the chandelier into place and Secure the Canopy to the junction box by sliding the canopy through the 2 Hex Bolts (D) and secure with the 2 Screw Caps(H).

9. Rotate the chandelier to the desired orientation.

10. Install 5 Candelabra Base/E12 lightbulbs, maximum 60 watts each. (Not included)

11. Restore power at the circuit breaker and test the fixture. Installation is complete.

Fig. 2

