



ASSEMBLY INSTRUCTIONS

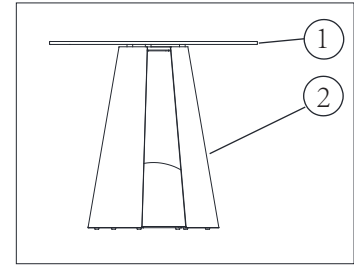
Lisbon dining table
SCH-170105

TOOLS INCLUDE:

NO.	Hardware List	QTY
A	Hex head bolt M8X25mm	3pcs
B	Lock washer M8	3pcs
C	Flat washer M8	3pcs
D	Allen wrench 5MM	1pc

PARTS INCLUDE:

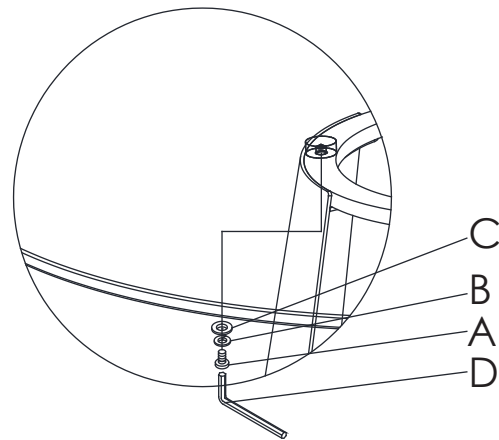
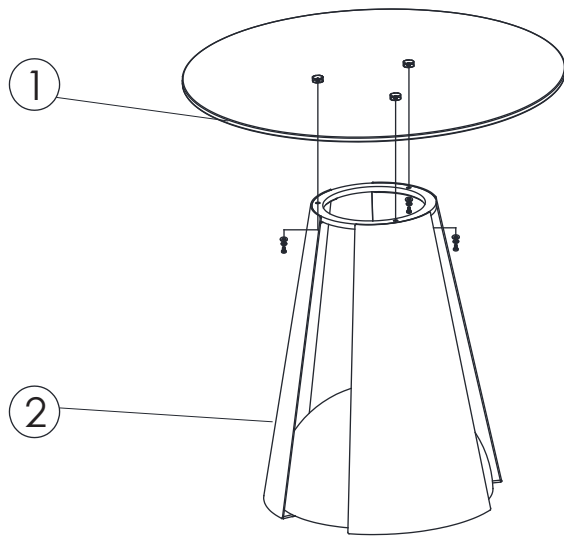
1-glass top x1pc
2-base x1pc



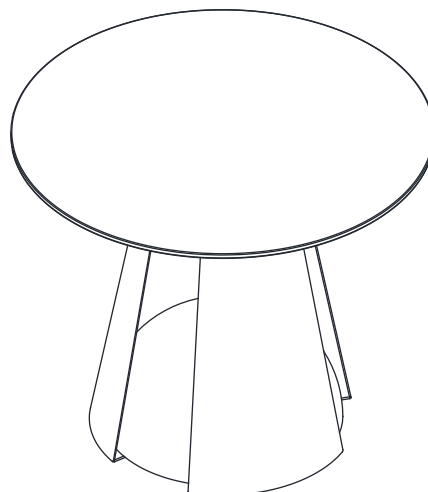
Prior to assembly, unwrap all the parts and components on a carpeted or non-abrasive surface.

Step 1: Unwrap the base and the table top from the packaging.

Step 2: Place the glass top on the base aligned to the 3 holes.



Step 3: Insert 3 pcs Hex Head Bolt(A) through the Lock Washer(B), Flat Washer(C) into 3 holes, fasten with Hex Wrench(D) .



We hope you enjoy this Gabby purchase. Shown: Lisbon dining table by

