

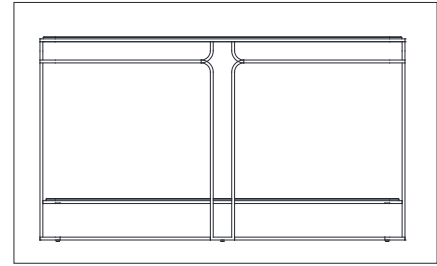


ASSEMBLY INSTRUCTIONS

Louise Console table
SCH-170140

TOOLS INCLUDE:

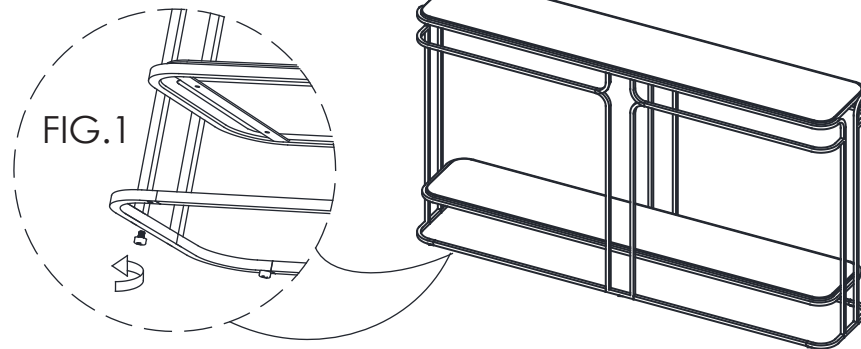
NO.	Hardware List	QTY
A	Screw M4 X 12mm	4pcs
B	Screw M4 X 35mm	4pcs
C	Bracket	4pcs
D	Retention Belt	2pc
E	Fisher S8	4pcs



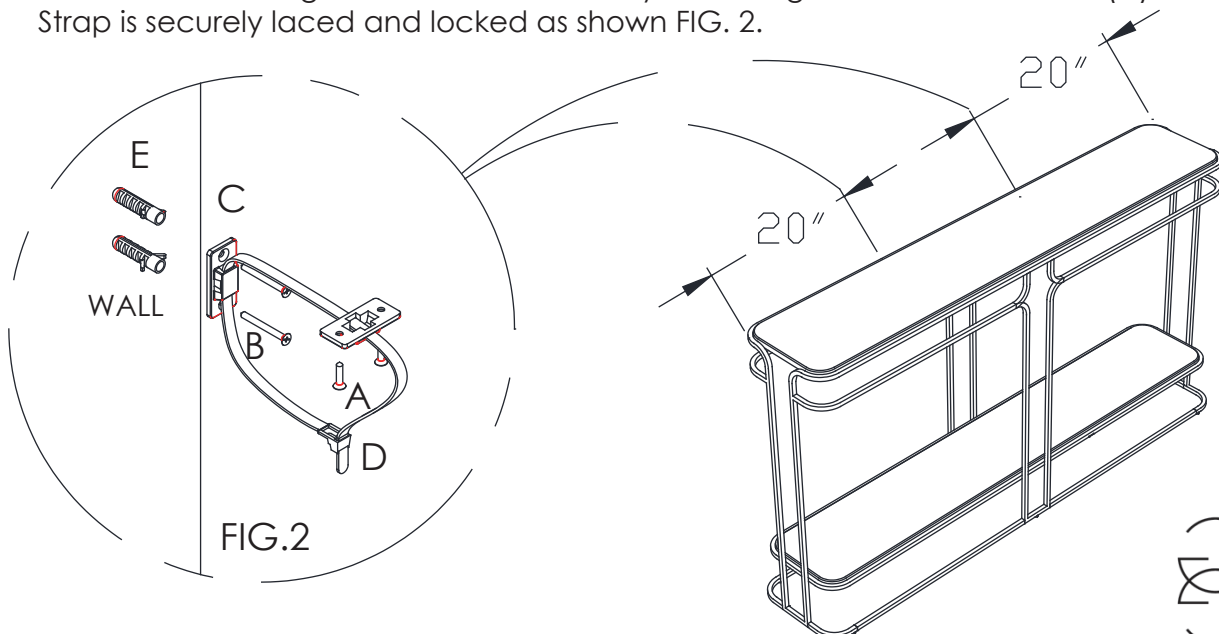
Prior to assembly, unwrap all the parts and components on a carpeted or non-abrasive surface.

Step 1: Unwrap the console table from the packaging.

If the floor uneven the levelers located at the underside of the Leg, to do this lift UP the side that need to be elevated to provide access to the levelers, turn the leveler until adequate contact with the floor as shown FIG.1.



Step 2: The Fisher (E) (wall insert) should be used in conjunction with using a wall stud as anchor. The combination will make the unit very stable. Attach one of the Brackets (C) horizontally to bottom of the top stone on the console table using the Short Screws (A). Screw the remaining Bracket (C) vertically approximately 1 inch below the Bracket attached to the console table using the Long Screws (B). The Long Screws (B) should be screwed into a stud in the wall. Align the Brackets vertically and string in the Retention Belt (D). Confirm Strap is securely laced and locked as shown FIG. 2.



We hope you enjoy this Gabby purchase. Shown: Louise console table by

