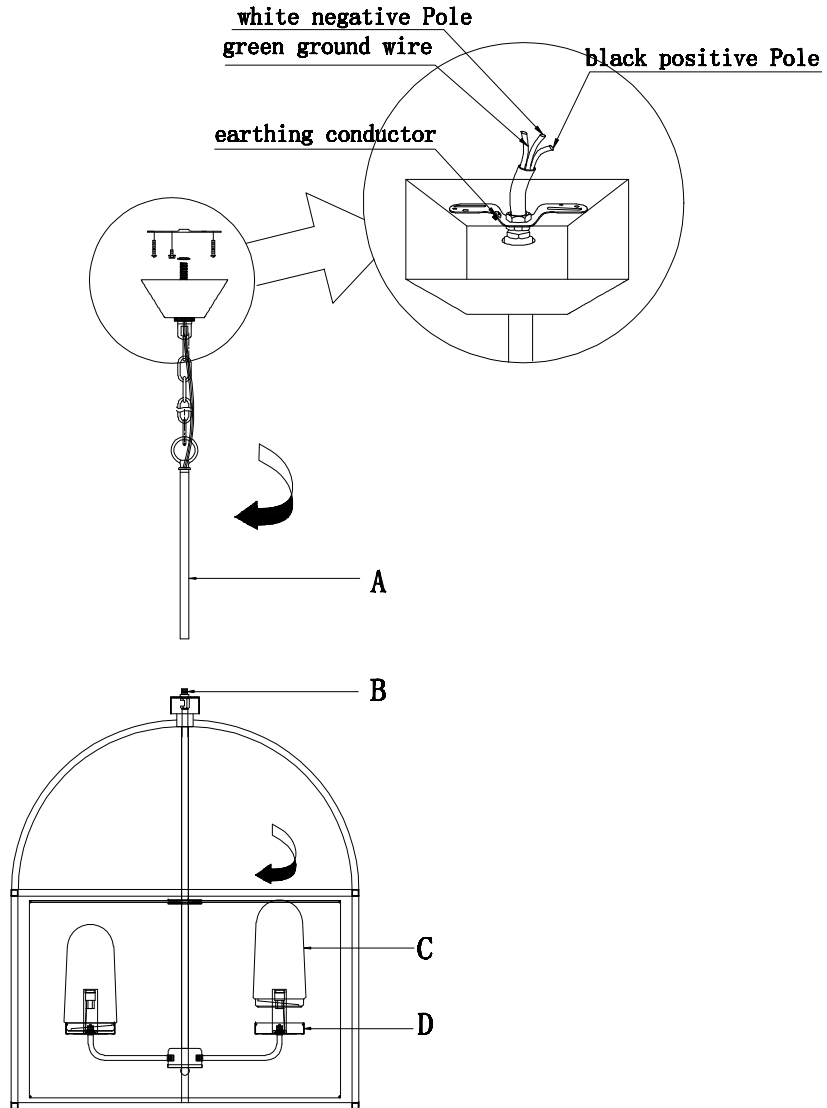




ASSEMBLY INSTRUCTIONS

Marlon Chandelier
SCH-166050

- (1) Screw (A) TOP ROD to (B) chandelier base.
- (2) Screw (C) GLASS SHADE 4PCS to (D) SOCKET PLATE.
- (3) Thread wire through chain every 3 links as shown.



ASSEMBLY INSTRUCTIONS

Marlon Chandelier
SCH-166050

- (1) Screw (A) TOP ROD to (B) chandelier base.
- (2) Screw (C) GLASS SHADE 4PCS to (D) SOCKET PLATE.
- (3) Thread wire through chain every 3 links as shown.

