



## ASSEMBLY INSTRUCTIONS

Marlon coffee table

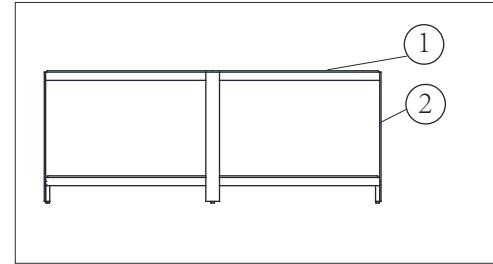
SCH-168110

### TOOLS INCLUDE:

NO.	Hardware List	QTY
A	Glass pad	8pcs

### PARTS INCLUDE:

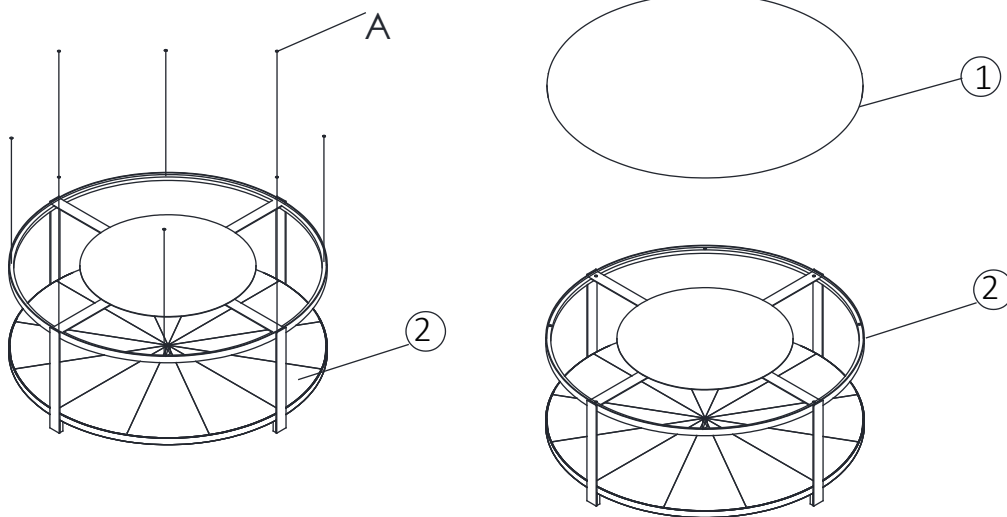
- 1- Glass top x1pc
- 2- Frame x1pc



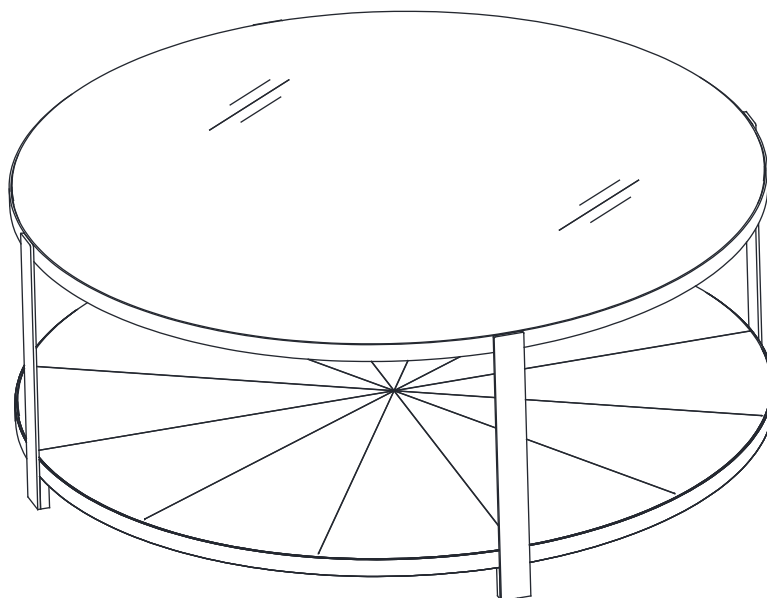
Prior to assembly, unwrap all the parts and components on a carpeted or non-abrasive surface.

Step 1: Unwrap the frame and the glass top from the packaging.

Please put the frame (2) on the floor. then put the glass pad (A) on the frame. and put the glass top (1) on the glass pad correctly.



Step 2: Please adjust to proper position for the marlon coffee table during use.



We hope you enjoy this Gabby purchase. Shown: Marlon coffee table by

