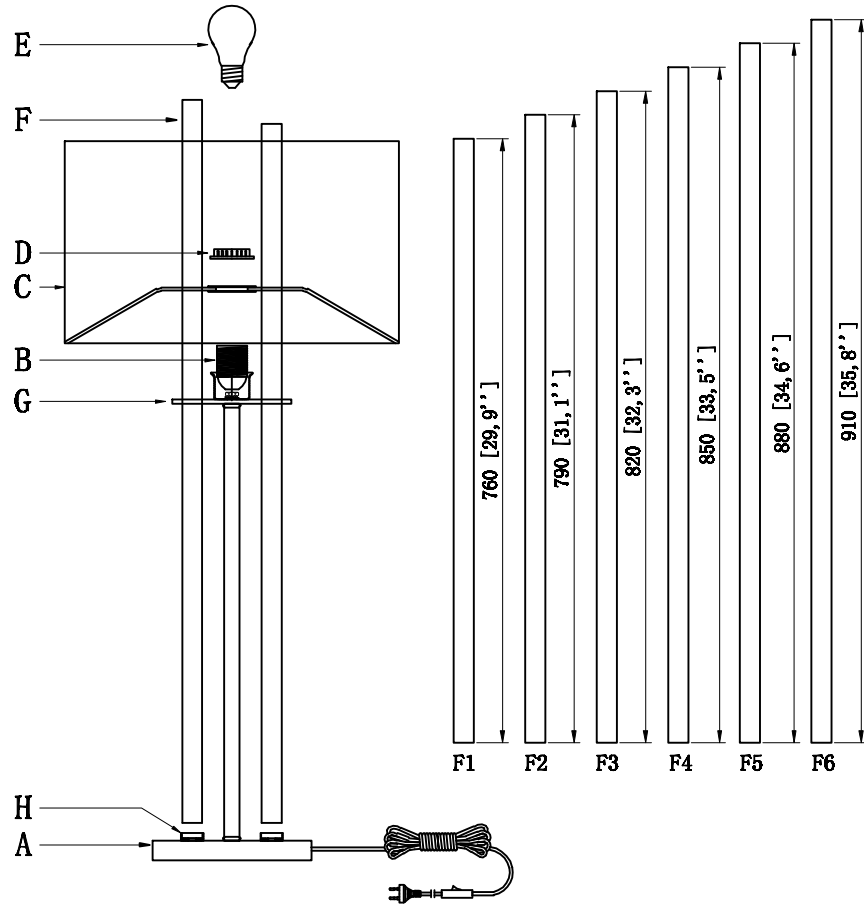




ASSEMBLY INSTRUCTIONS

Merna Table Lamp
SCH-167005



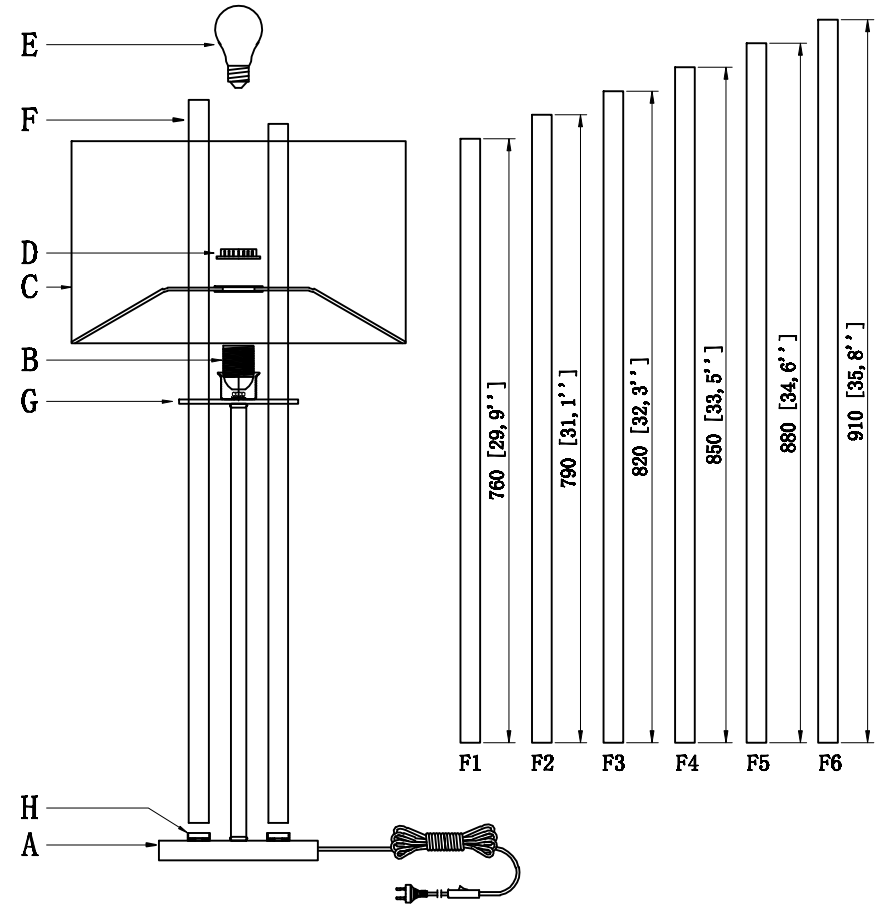
ASSEMBLY INSTRUCTIONS

1. Carefully remove all lamp parts from the box.
2. Stand lamp base (A) on a flat surface.
3. Put shade (C) onto socket (B) secure with ring (D)
4. Put glass tube (F1),(F2),(F3),(F4),(F5),(F6) through the holes of plate (G) and set into cup (H)
5. Insert bulb (E) - NOT INCLUDED.



ASSEMBLY INSTRUCTIONS

Merna Table Lamp
SCH-167005



ASSEMBLY INSTRUCTIONS

1. Carefully remove all lamp parts from the box.
2. Stand lamp base (A) on a flat surface.
3. Put shade (C) onto socket (B) secure with ring (D)
4. Put glass tube (F1),(F2),(F3),(F4),(F5),(F6) through the holes of plate (G) and set into cup (H)
5. Insert bulb (E) - NOT INCLUDED.