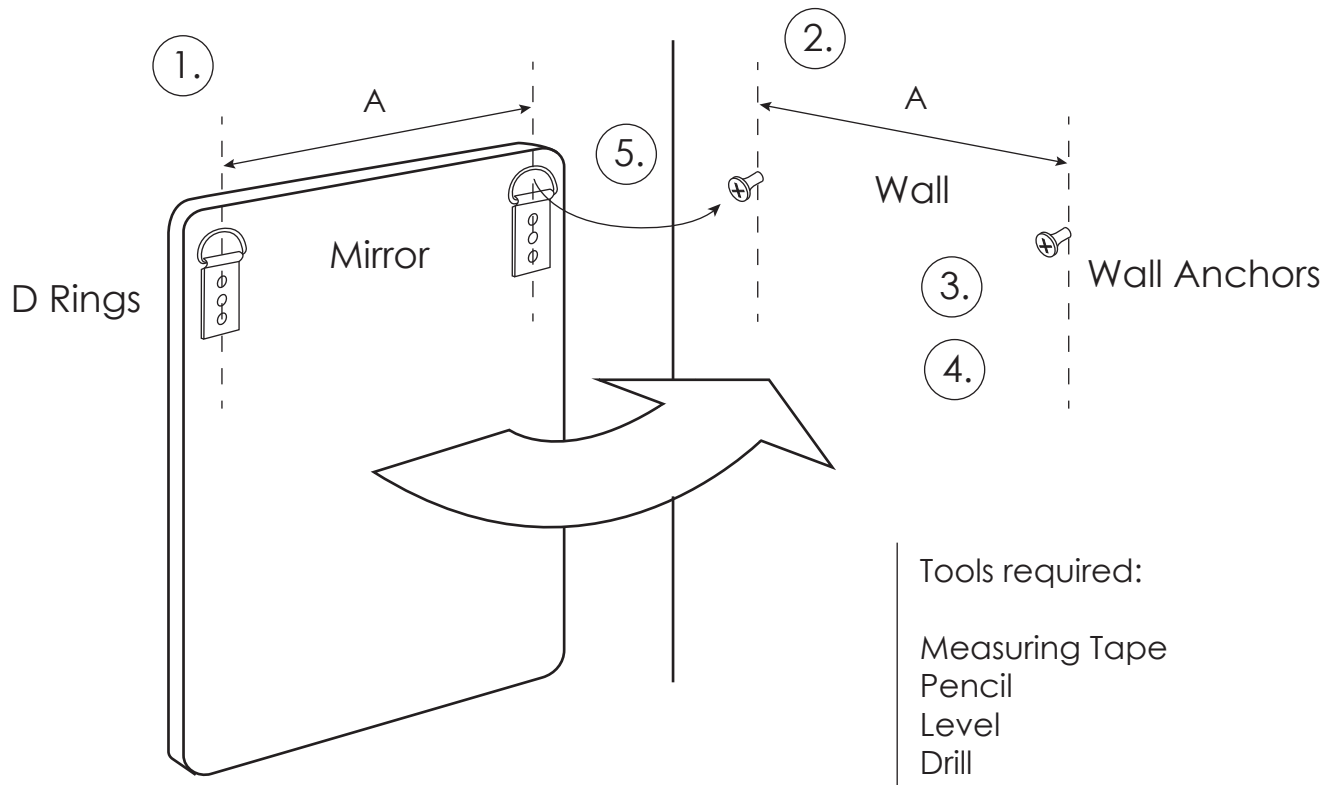


Mirror Hanging Instructions

D Ring



CAUTION

2 persons recommended for this assembly

Wall anchors are not included due to varying wall surfaces requiring specific wall anchors. Seek professional help if you do not know what type of wall anchors you need or you cannot effectively lift the mirror.

This mirror was designed to hang by the D Rings. DO NOT use picture wire as this will create strain on the hangers that was not intended.

Step 1: Place mirror on padded surface or carpet and measure distance between the centers of the D Rings.

Step 2: Use measurement from step 1 to mark the wall where you want to hang the mirror. Use level to ensure balanced hanging.

Step 3: Drill pilot holes on marks for the wall anchors.

Step 4: Insert wall anchors, leaving a small space to hang the D rings.

Step 5: Carefully hang mirror on to wall anchors. It is recommended that you seek additional help on this step.