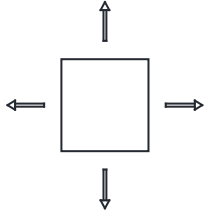


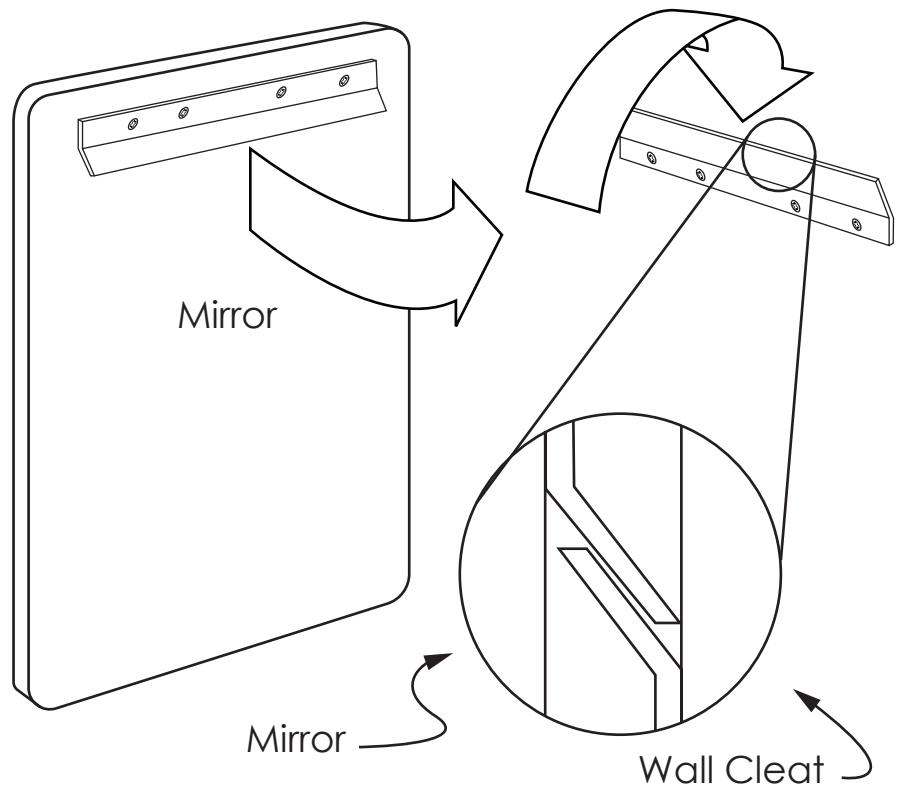
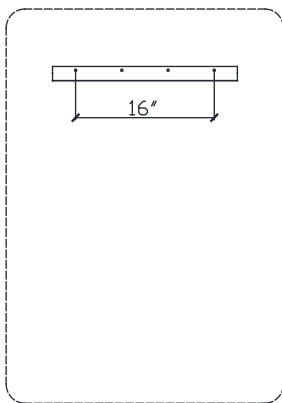
Mirror Hanging Instructions

French Cleat

1. Position Mirror



2. Mark hole locations



CAUTION

2 persons recommended for this assembly

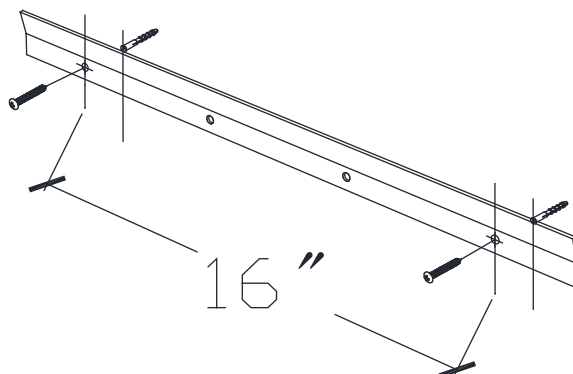
Seek professional help if you do not know what type of wall anchors you need or you cannot effectively lift the mirror.

This mirror was designed to hang by the French Cleat. DO NOT use any other method to hang this mirror.

Step 1: Level the wall cleat on the wall where you want to hang the mirror and mark the location on the wall.

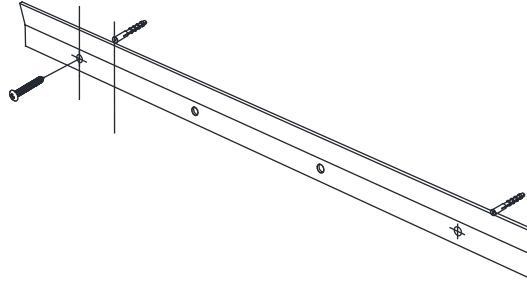
Step 2:

A. Where possible location two screws into wall studs

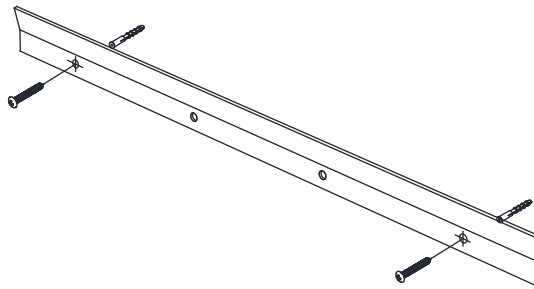


Step 2:

- B. If only one stud can be located, use an anchor in another location that is rated for the full weight of the mirror.



- C. If no studs can be located, a minimum of two wall anchors must be used that equal a total weight capability of two times the mirror's total weight.



Step 3: Hang mirror on wall cleat. Be sure that mirror is securely on cleat before releasing.