





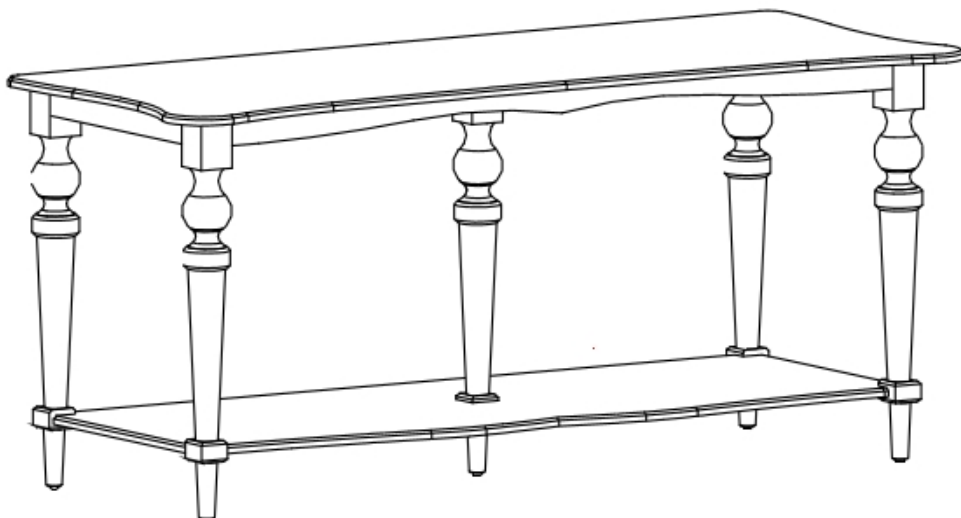




GABBY

NIRVANA CONSOLE TABLE ASSEMBLY INSTRUCTION

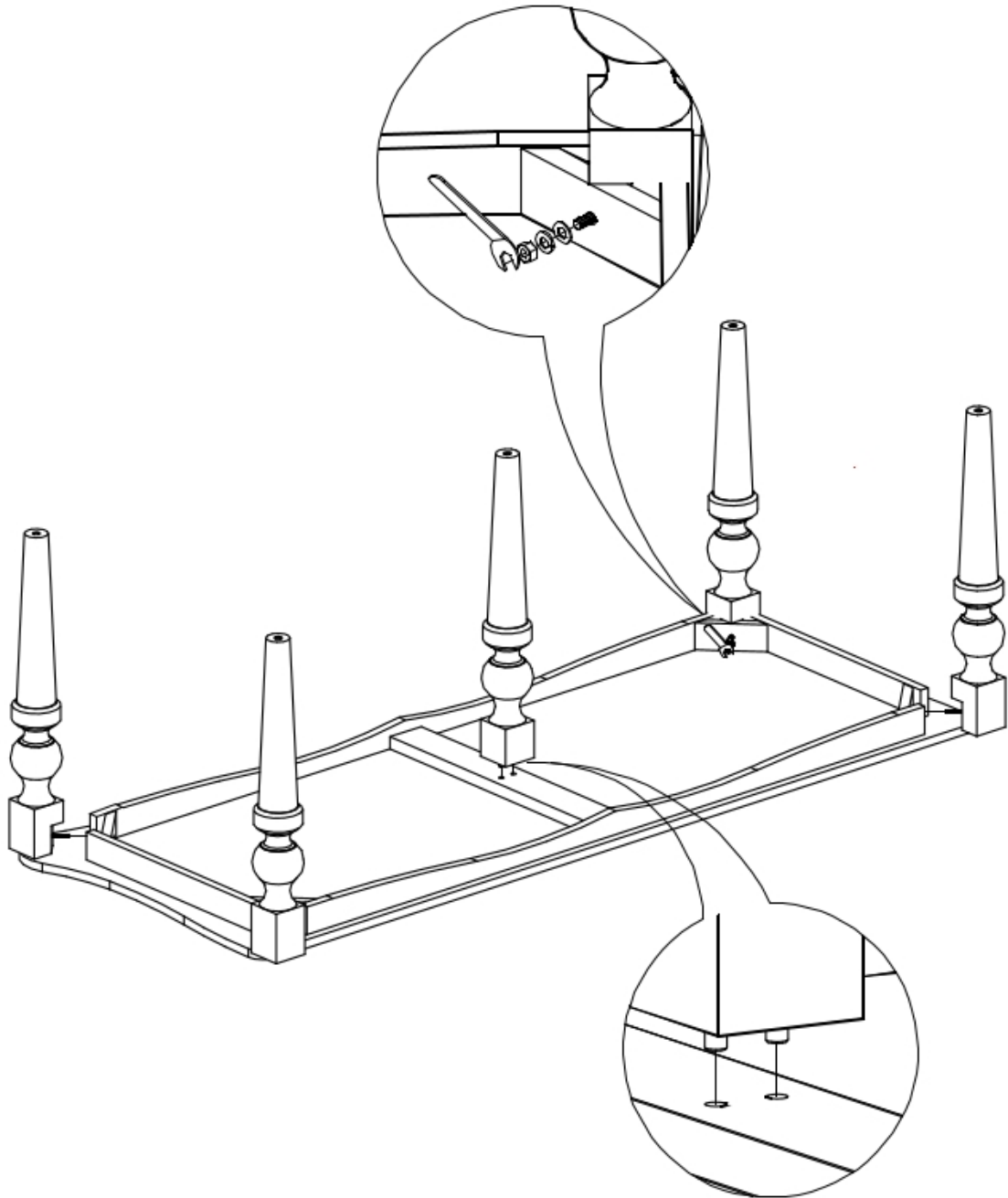
| HARDWARE LIST | | | | |
|---------------|-------------|---|------------|-----|
| No | Description | DRAWING | Stock Size | QTY |
| 1. | Top Table |  | | 01 |
| 2. | Middle Top |  | | 01 |
| 3. | Center Leg |  | | 01 |
| 4. | LEGS |  | | 04 |
| 5. | Bottom Leg |  | | 05 |
| 6. | Wrench |  | | 01 |





GABBY

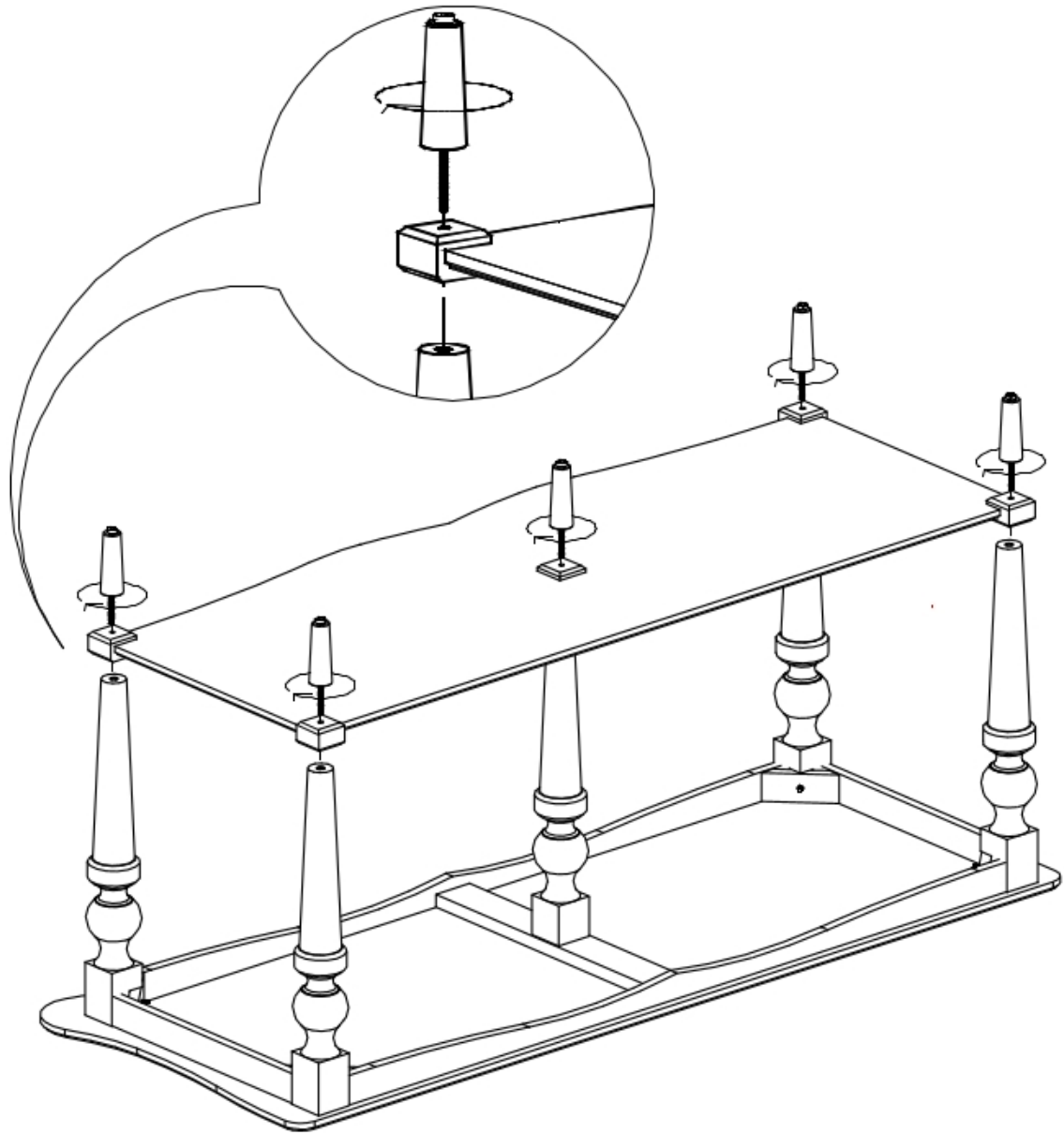
NIRVANA CONSOLE TABLE ASSEMBLY INSTRUCTION





GABBY

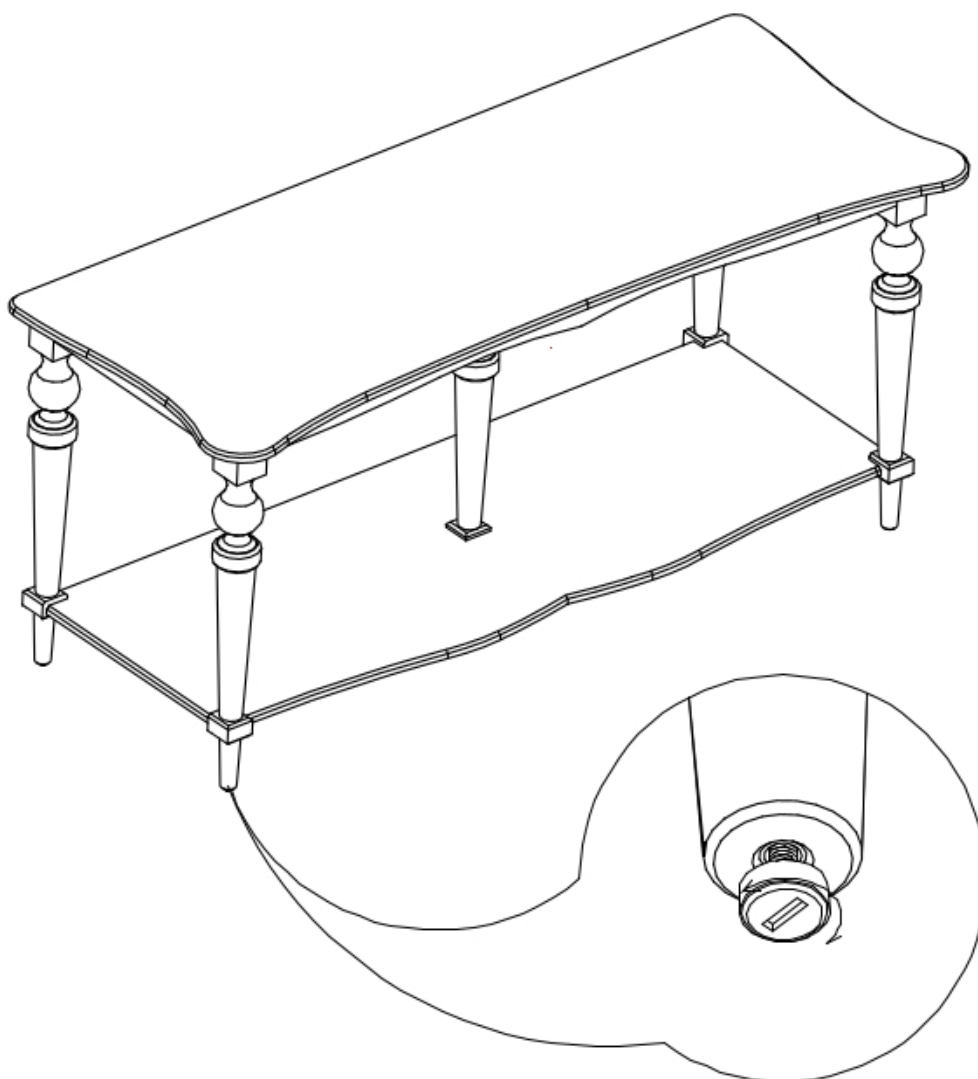
NIRVANA CONSOLE TABLE ASSEMBLY INSTRUCTION





GABBY

NIRVANA CONSOLE TABLE ASSEMBLY INSTRUCTION



- If the floor is uneven adjust the levelers located at the underside of the Leg, to do this lift Up the side that need to be elevated to provide access to the levelers, turn the leveler until adequate contact with the floor.