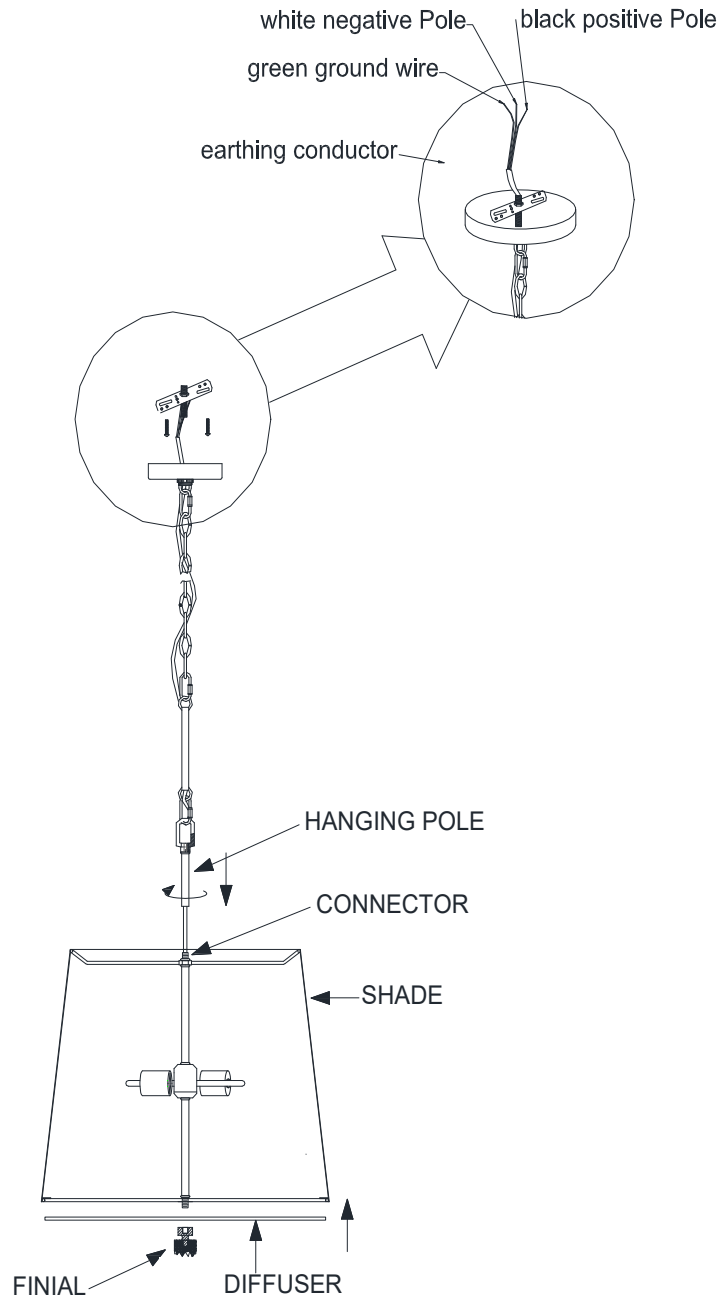




ASSEMBLY INSTRUCTIONS

Noni Pendant

SCH-192110



1. Put the Diffuser onto bottom of shade and then tighten with finial.
2. Screw the top Hanging pole into the connector over the shade.
3. Connect the rods with link then connect with the chain.
4. Thread wire through the rods and then chain every 3 links.