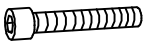


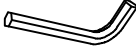
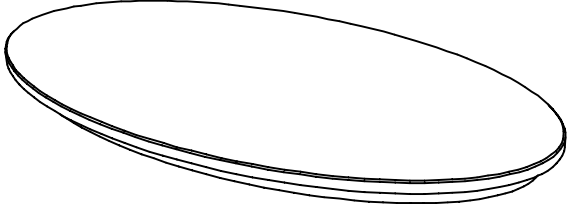
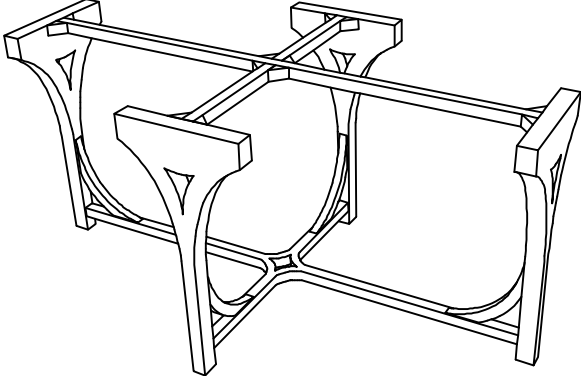


Assembly Instruction

SCH-160360

				
A M8*50	B M8	C M8	D	
7 PCS	7 PCS	7 PCS	1 PC	
				
Top		Base		
1 PC		1 PC		

