

SUMMER CLASSICS

PAIGE DINING TABLE RECT. ASSEMBLY INSTRUCTION

HARDWARE INCLUDE :

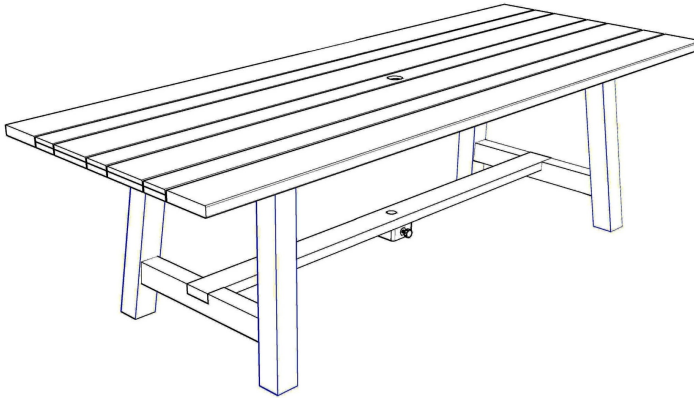
1. 4 – Bolts L (70mm)
2. 4 – Bolts M (50mm)
3. 4 – Bolts S (35mm)
4. 1 – Locking Bolt

PARTS INCLUDE :

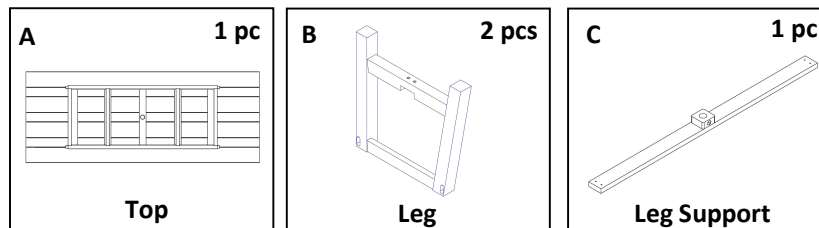
- A. 1 – Top
- B. 2 – Leg
- C. 1 – Leg Support

TOOLS REQUIRED :

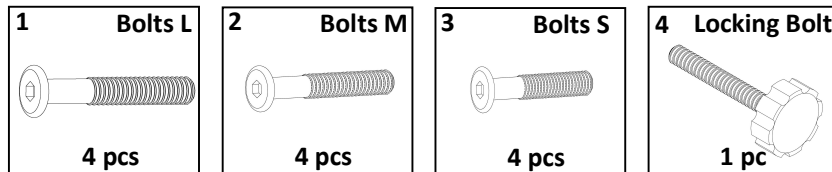
1. – Allen Key - Provided



PARTS :

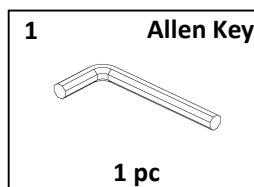


HARDWARES :



TOOLS REQUIRED :

Provided



SUMMER CLASSICS

PAIGE DINING TABLE RECT. ASSEMBLY INSTRUCTION

