

SUMMER *SC* CLASSICS

PAIGE FARM HOUSE DINING TABLE ASSEMBLY INSTRUCTION

HARDWARE INCLUDE :

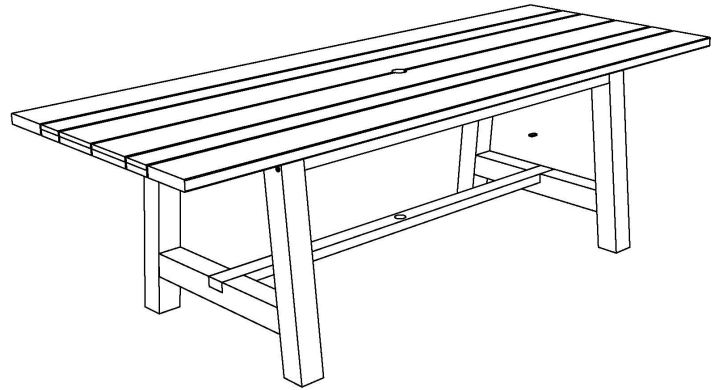
1. 18 – bolts

PARTS INCLUDE :

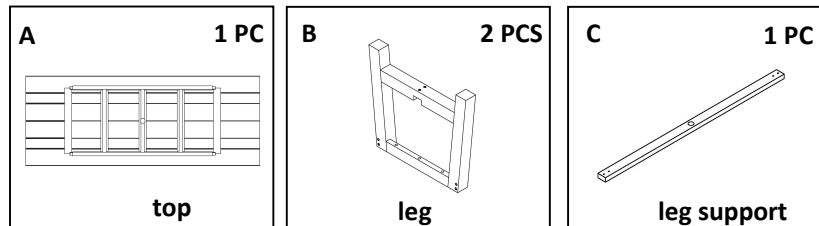
- A. 1 – Top
- B. 2 – Leg
- C. 1 – Leg support

TOOLS REQUIRED :

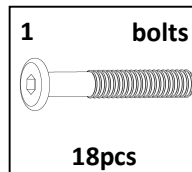
1. – Allen Key - provided



PARTS :

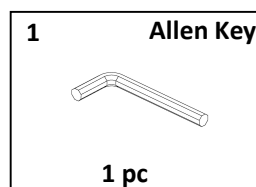


HARDWARES :



TOOLS REQUIRED :

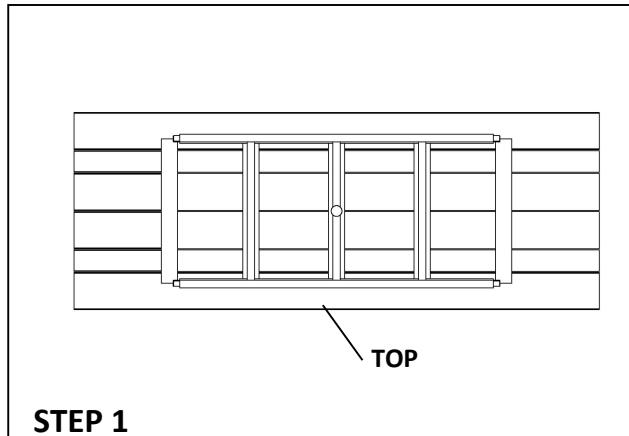
Provided



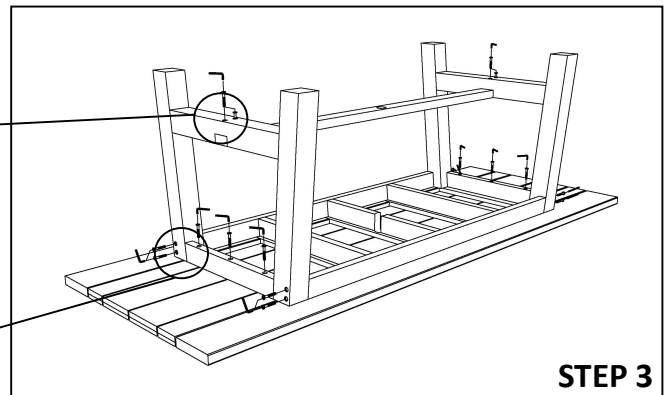
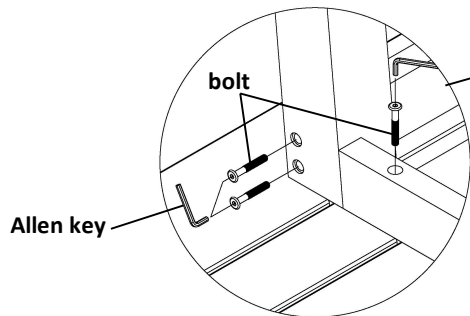
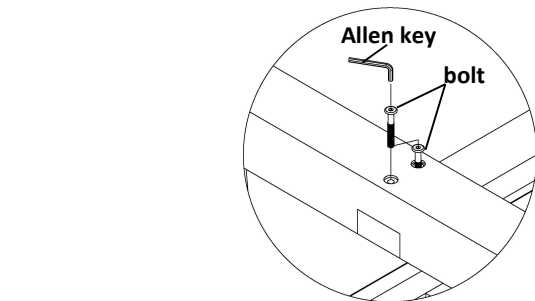
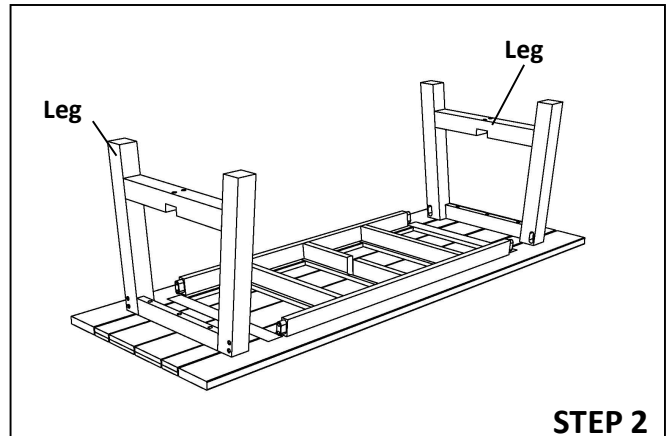
SUMMER CLASSICS

PAIGE FARM HOUSE DINING TABLE

ASSEMBLY INSTRUCTION



2 person needed to assemble. Place TOP on flat floor , place leg mortise holes to apron tenons.



Secure the legs & leg support with bolts using allen key. Make sure the dowel length corresponds to the holes.