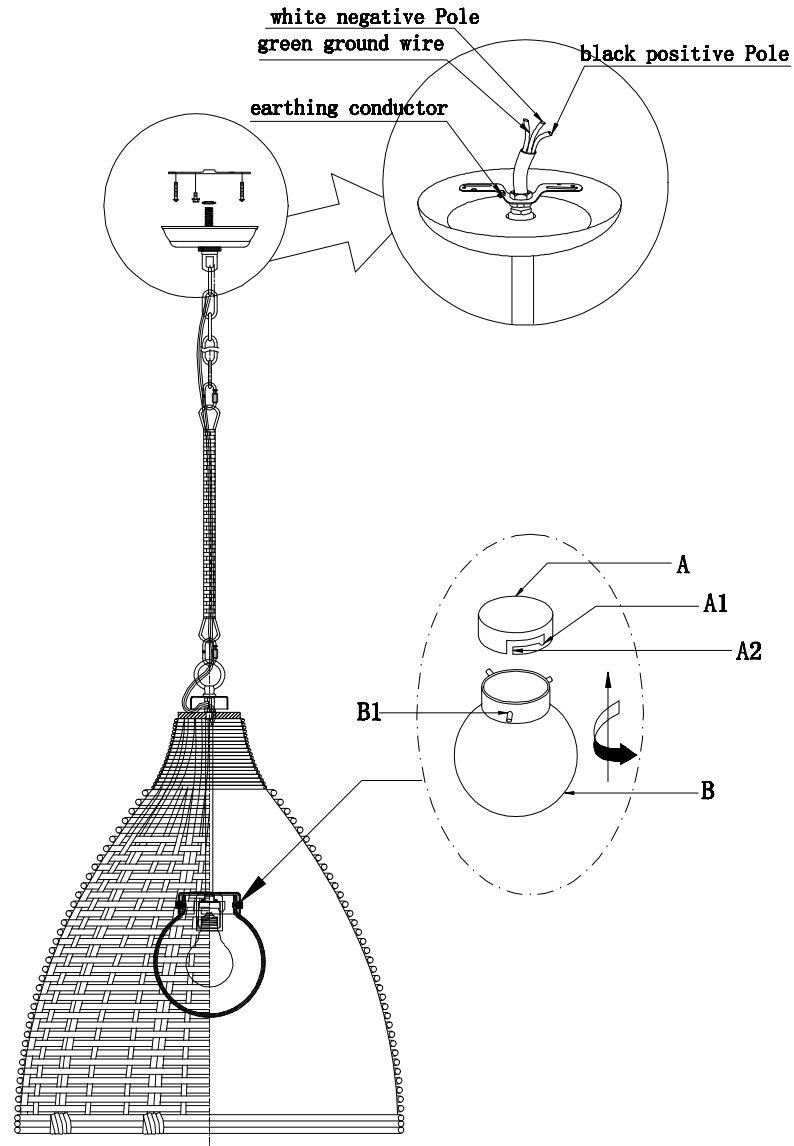




ASSEMBLY INSTRUCTIONS

Prescott chandelier- small
SCH-166080

- (1) Screw (B) GLASS SHADE in (A) SOCKET COVER by putting the (B1) ROD 3pcs through (A2) OPENING then slide to the right end and make sure the (B1) ROD go down to the (A1) GROOVE
- (2) Thread wire through chain every 3 links as shown.



ASSEMBLY INSTRUCTIONS

Prescott chandelier- small
SCH-166080

- (1) Screw (B) GLASS SHADE in (A) SOCKET COVER by putting the (B1) ROD 3pcs through (A2) OPENING then slide to the right end and make sure the (B1) ROD go down to the (A1) GROOVE
- (2) Thread wire through chain every 3 links as shown.

