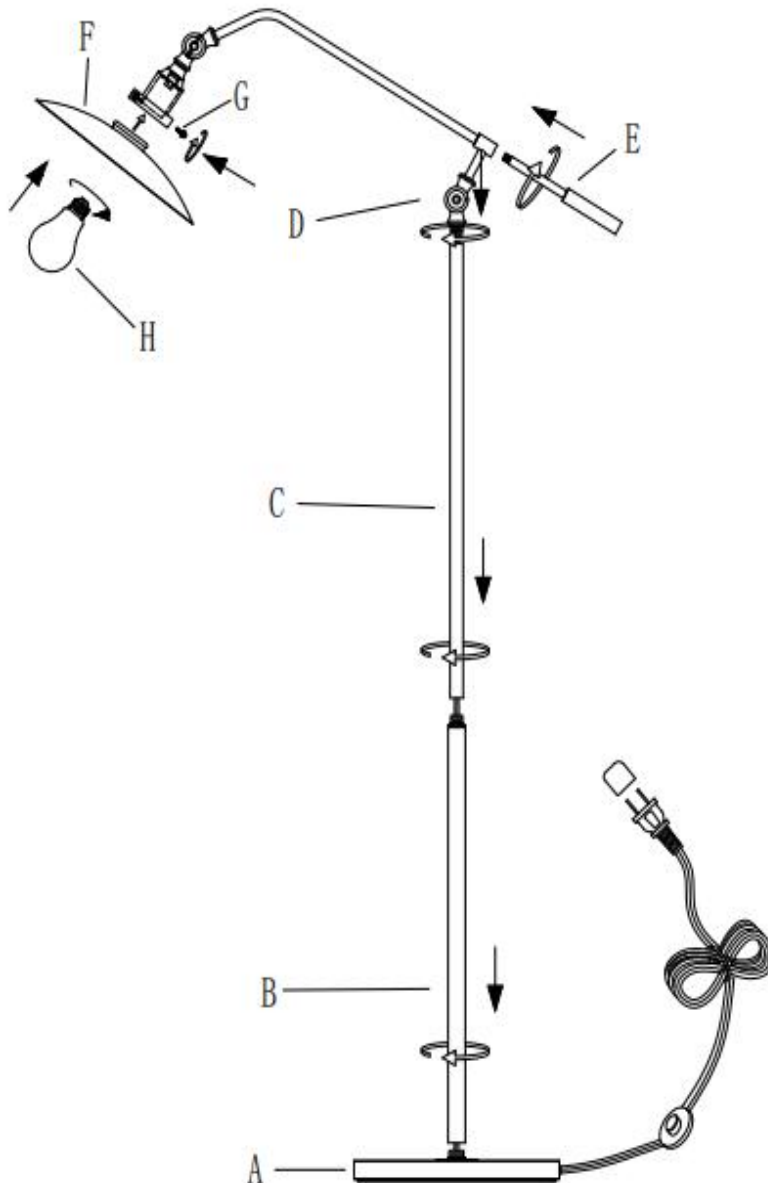


GABBY®

## ASSEMBLY INSTRUCTIONS

Raphael Floor lamp

SCH-166085



1. Carefully remove all lamp parts from the box .
2. Attach the Shade( F) to Socket tightly with Screw( G).
3. Screw in Rod (C)to Rod (B)tightly.
4. Screw in Arm(D)to Rod(C)tightly.
5. Screw in the end section tube( E)to Arm( D)tightly.
6. Stand lamp base (A) on a flat surface and screw rod (B)tightly .
7. Insert the Bulb(H), Not included.