

SUMMER *SC* CLASSICS

Replacement Sling for Bali Chaise

ASSEMBLY INSTRUCTION

HARDWARE INCLUDE :

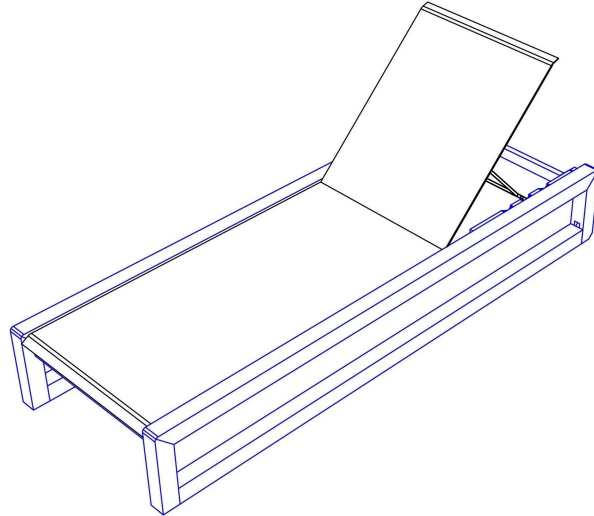
1. 18 – Bolt
2. 18 – Washer
3. 1 – St Frame

PARTS INCLUDE :

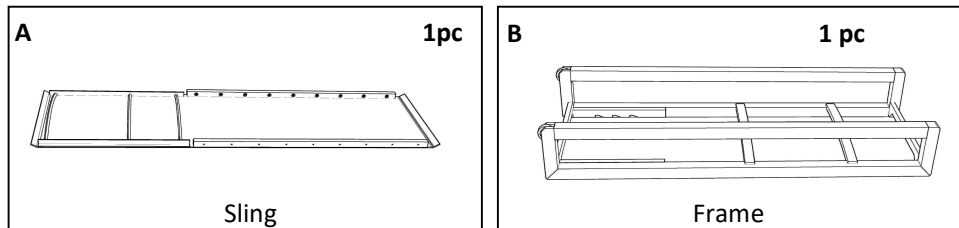
- A. 1 – Sling
- B. 1 – Frame

TOOLS REQUIRED :

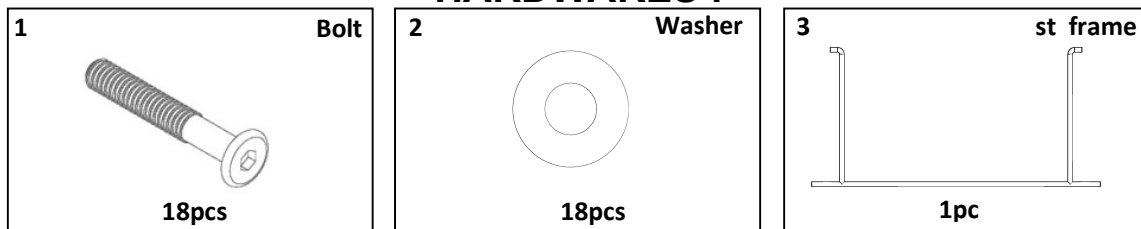
1. – "C" Clamp - provided
2. – Allen Key - provided
3. – alignment Stick - provided



PARTS :

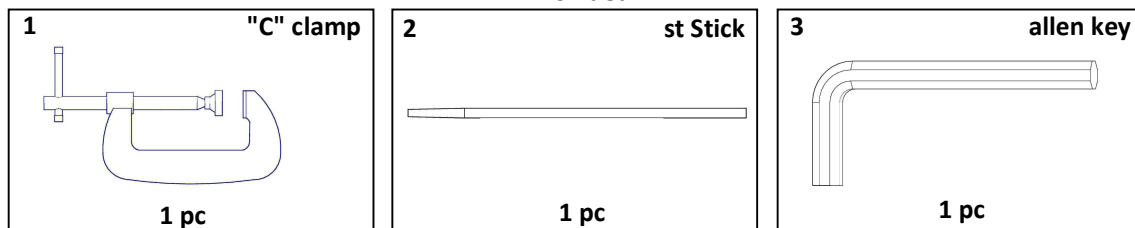


HARDWARES :



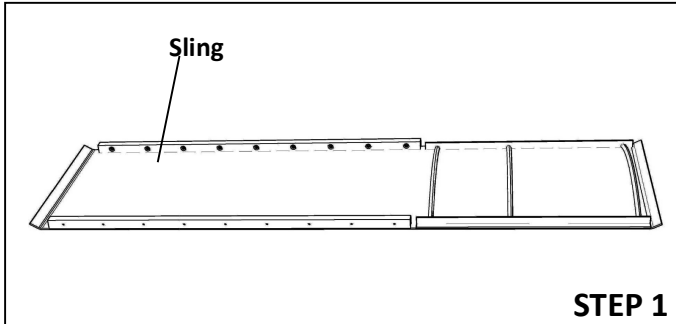
TOOLS REQUIRED :

Provided:

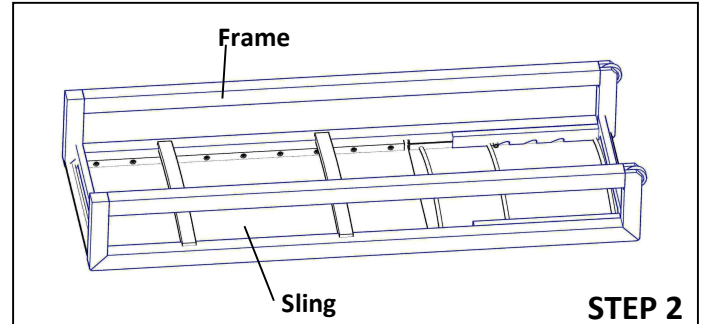


SUMMER *SC* CLASSICS

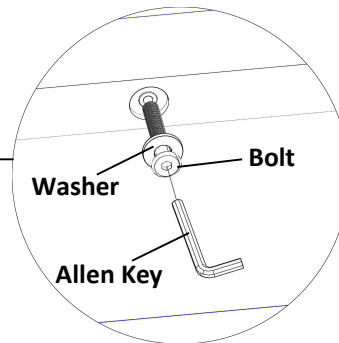
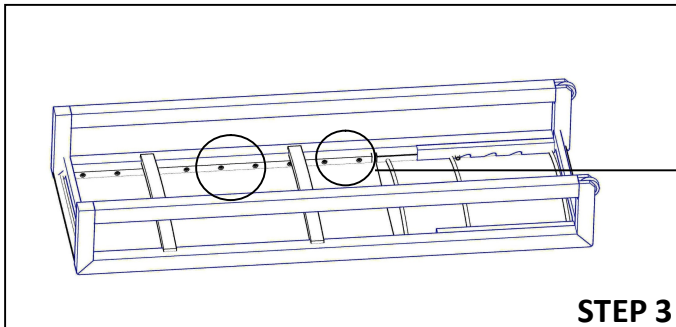
Replacement Sling for Bali Chaise ASSEMBLY INSTRUCTION



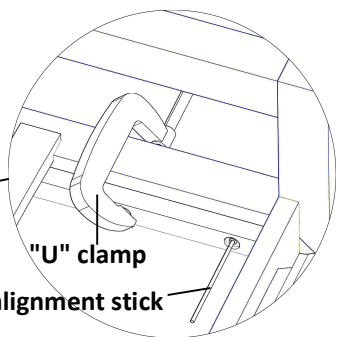
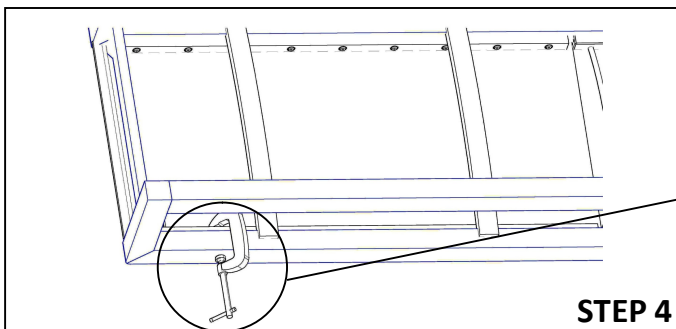
place the replacement sling on that ground.



align the existing frame with the replacement sling as shown.



*secure one side first with bolts and tighten them with Allen keys provide.



*with the aid of "C" clamp and the alignment stick, secure the other side with bolts using the Allen key.

