





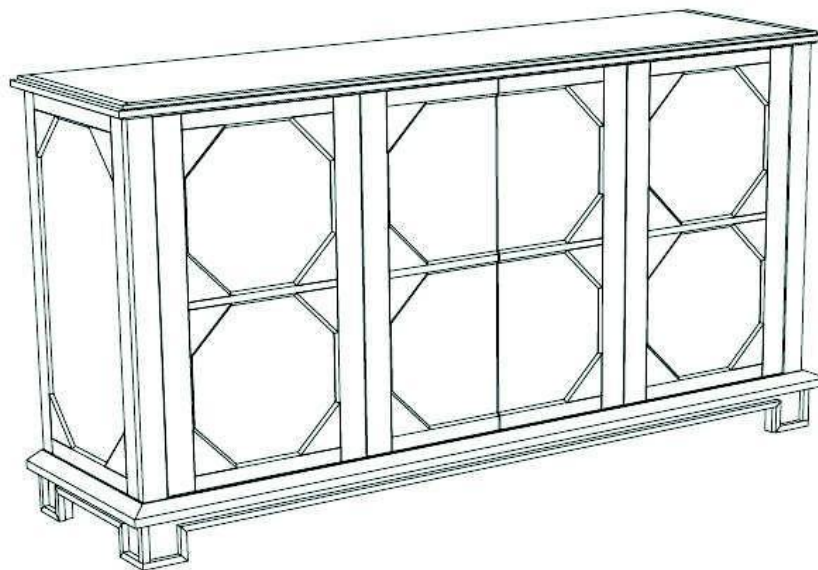
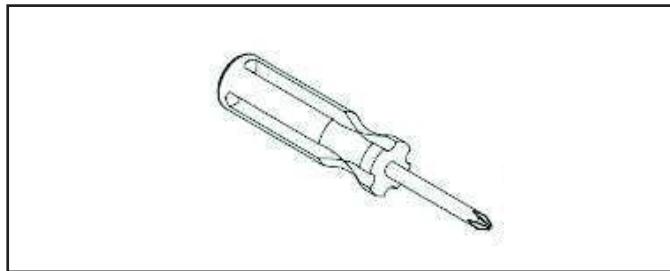


GABBY

**RHODES CABINET
ASSEMBLY INSTRUCTION**

HARDWARE LIST				
NO	DESCRIPTION	DRAWING	Stocksize	QTY
A	Small Screw		3.5 x 15	04
B	Large Screw		3.5 x 30	04
C	Bracket			04
D	Retention Belt			02

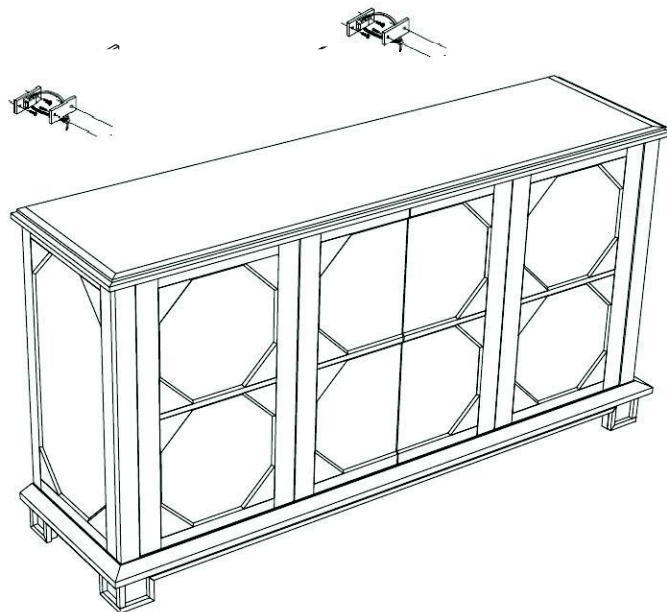
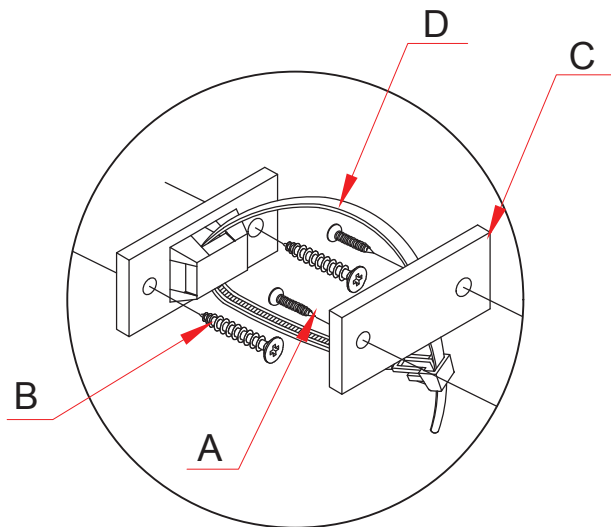
NOT PROVIDED :





GABBY
RHODES CABINET
ASSEMBLY INSTRUCTION

STEP 2 :



- Attach the Brackets (C) horizontally to the top of the back of the Table using the Small Screws (A) . Screw the remaining Brackets (C) vertically 1 inch below the brackets attached to the Table using the large screws (B). The Large Screws (B) should be screwed into a stud in the wall. Align the Brackets vertically and string in the Retention Belt (D) . Confirm Strap is securely laced and locked.