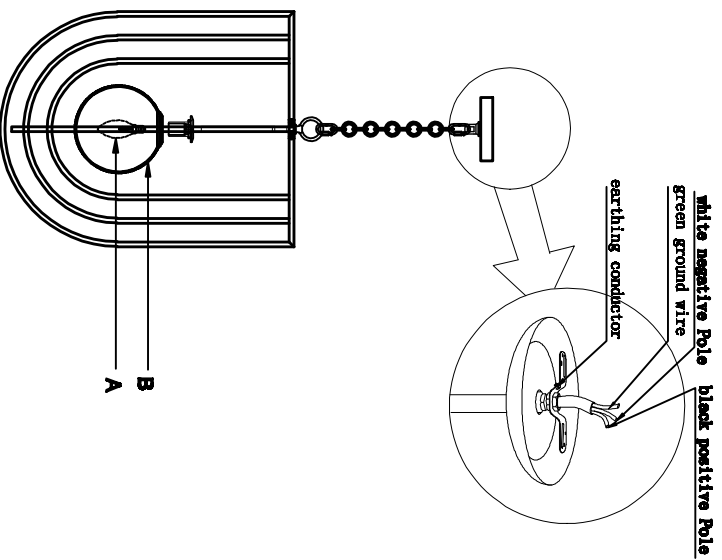




ASSEMBLY INSTRUCTIONS
Rockford Pendant
SCH-175032

- (1) Insert Bulb (A) , NOT INCLUDED, into Socket.
- (2) Screw Glass Shade (B) tightly.
- (3) Thread wire through chain every 3 links.



ASSEMBLY INSTRUCTIONS
Rockford Pendant
SCH-175032

- (1) Insert Bulb (A) , NOT INCLUDED, into Socket.
- (2) Screw Glass Shade (B) tightly.
- (3) Thread wire through chain every 3 links.

