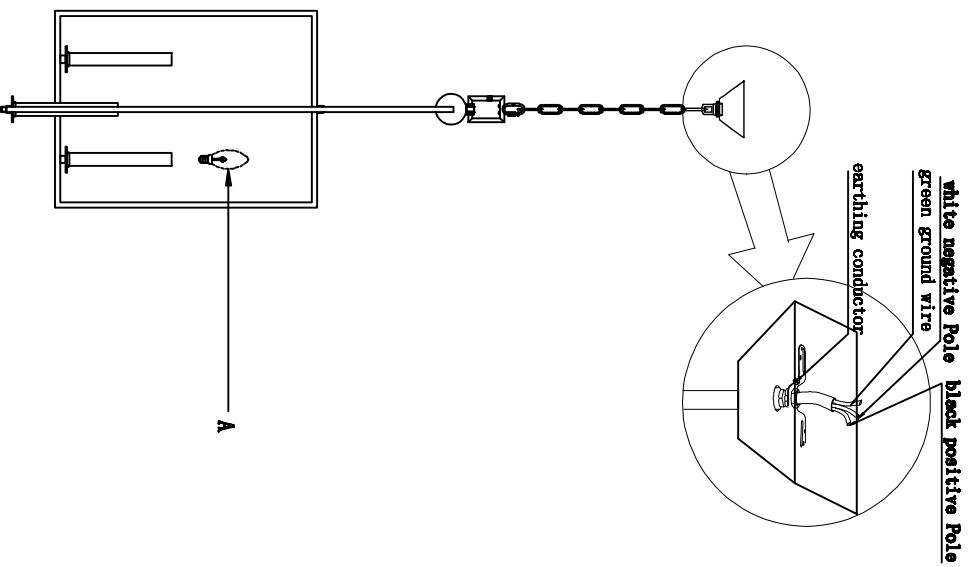




**ASSEMBLY INSTRUCTIONS**  
Roderick Chandelier-Brass  
SCI-170550

- (1) Insert Bulb (A) , NOT INCLUDED, into Socket.
- (2) Thread wire through chain every 3 links.



**ASSEMBLY INSTRUCTIONS**  
Roderick Chandelier-Brass  
SCI-170550

- (1) Insert Bulb (A) , NOT INCLUDED, into Socket.
- (2) Thread wire through chain every 3 links.

