



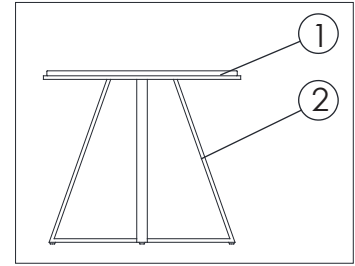
ASSEMBLY INSTRUCTIONS

Rylan side table
SCH-163375

TOOLS INCLUDE:

NO.	Hardware List	QTY
A	Hex head bolt 1/4"x22MM	4pcs
B	Lock washer 1/4"	4pcs
C	Flat washer 1/4"	4pcs
D	Allen wrench 4MM	1pc

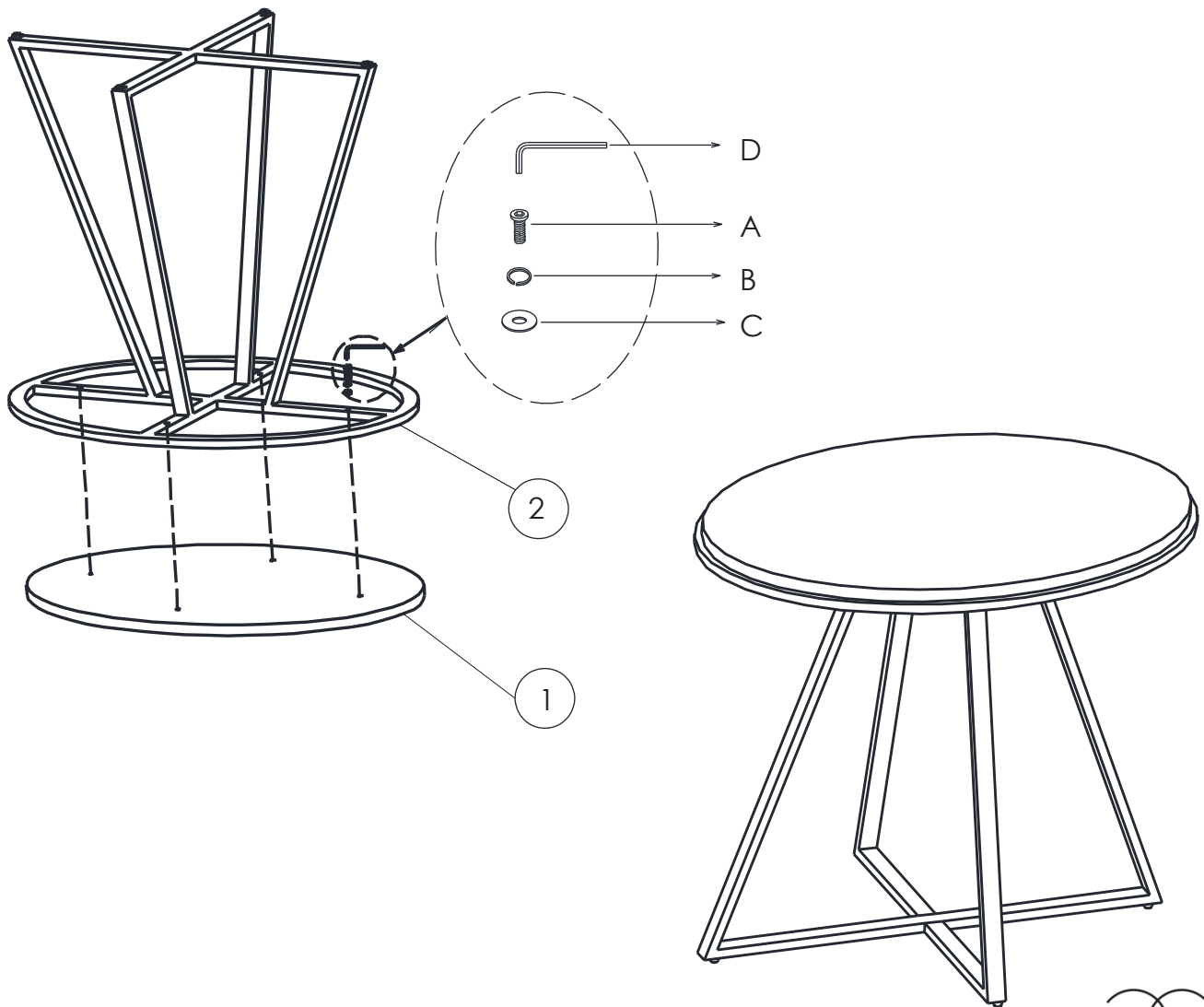
PARTS INCLUDE:
1-Stone top x1pc
2-Base x1pc



Prior to assembly, unwrap all the parts and components on a carpeted or non-abrasive surface.

Step 1: Unwrap the base and the stone top from the packaging.

Place the base (2) on the stone top (1) aligned to the 4 holes labeled a-b-c-d, then insert 4pcs Hex Head Bolt(A) through the Lock Washer(B), Flat Washer(C) into the 4 holes, fasten with Hex Wrench(D).



We hope you enjoy this Gabby purchase. Shown: Rylan side table by

