






## ASSEMBLY INSTRUCTIONS

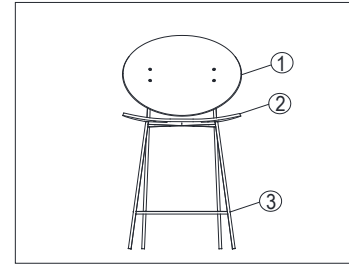
Sandy dining chair/ counter stool/ bar stool  
SCH-160355/SCH-160350/SCH-160345

### TOOLS INCLUDE:

NO.	Hardware List	QTY
A	Screw 1/4" X 20mm 	8 pcs
B	Plastic spacer 1/4"X13 	8 pcs
C	Allen Wrench 4mm 	1 pcs

### PARTS INCLUDE:

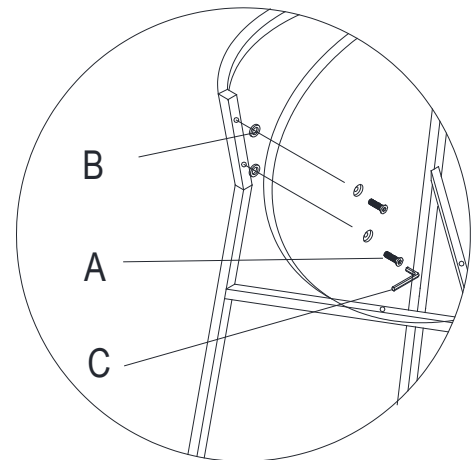
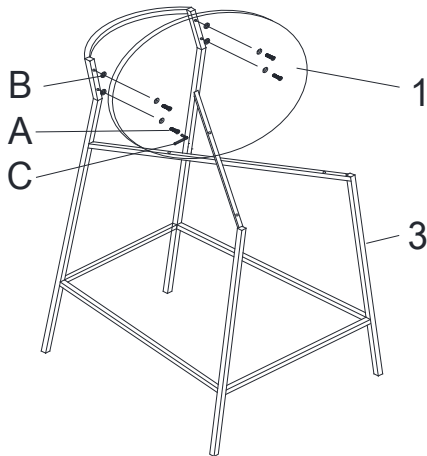
1-acrylic back x 1pc  
2-acrylic seat panel x 1pc  
3-base x 1pc



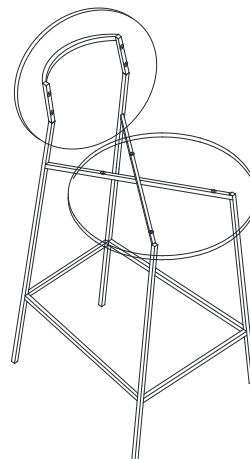
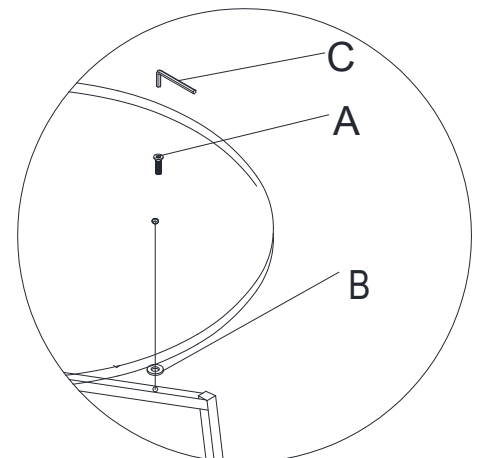
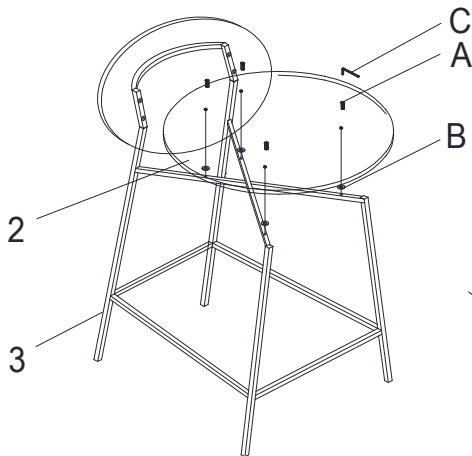
Prior to assembly, unwrap all the parts and components on a carpeted or non-abrasive surface.

Step 1: Unwrap the parts from the packaging.

connect the acrylic back (1) to the base (3) by the screws (A) and plastic spacer (B), then lock the screws using Allen Wrench (C).



Step 2: connect the acrylic seat panel (4) to the base (3) by the screws (A) and plastic spacer (B), then lock the screws using Allen Wrench (C).



We hope you enjoy this Gabby purchase. Shown: Sandy chair and Sandy stools by

GABBY®