



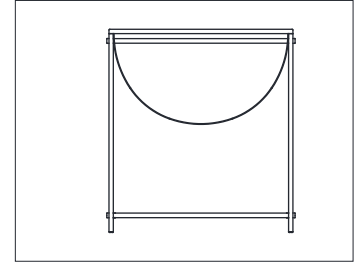
ASSEMBLY INSTRUCTIONS

Skylar side table
SCH-168115

TOOLS INCLUDE:

NO.	Hardware List	QTY
A	rubber pad	4pcs

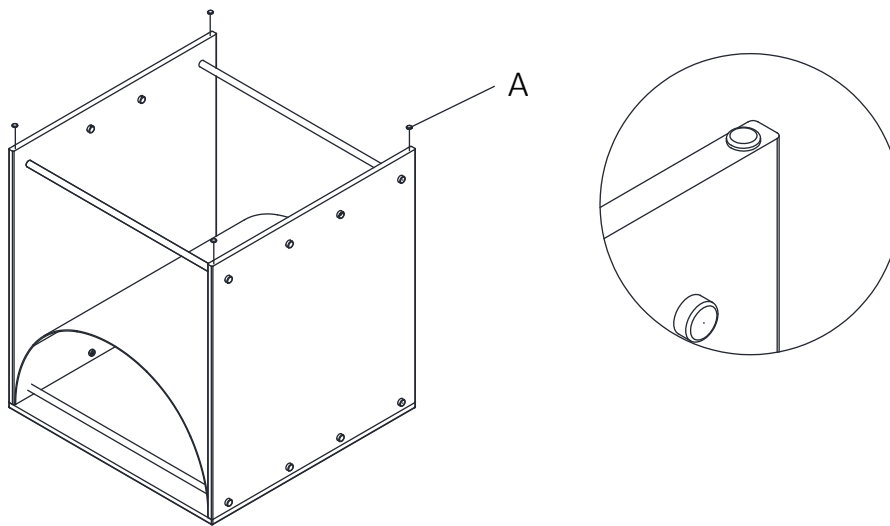
PARTS INCLUDE:



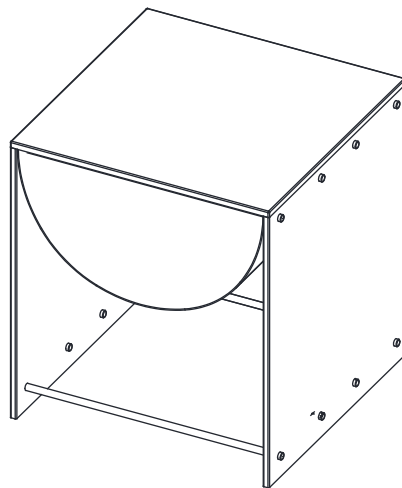
Prior to assembly, unwrap all the parts and components on a carpeted or non-abrasive surface.

Step 1: Unwrap the side table from the packaging.

We prepared 4 rubber pad (A) in the hardware package, you can put them at the bottom of acrylic frame accordingly to your needs.



Step 2: Please adjust to proper position for the side table during use.



We hope you enjoy this Gabby purchase. Shown: Skylar side table by

