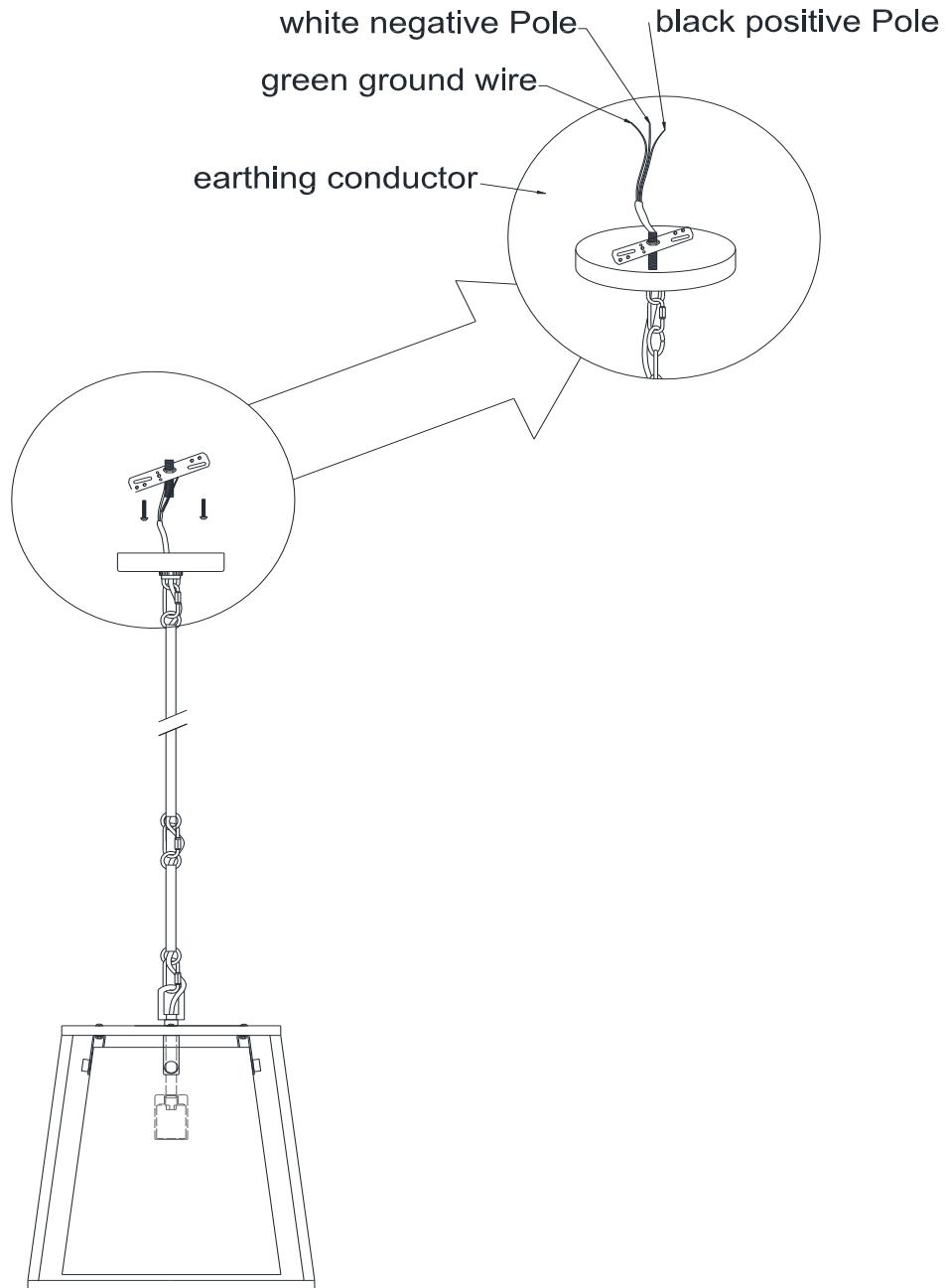




**ASSEMBLY INSTRUCTIONS**  
Stacey Chandelier - Champagne Silver / Gilded Gold  
SCH-192100 / SCH-192101



1. Thread wire through 6"(1pc) and 12"(5pcs) rods to achieve desired length.
2. Connect rods together with links.