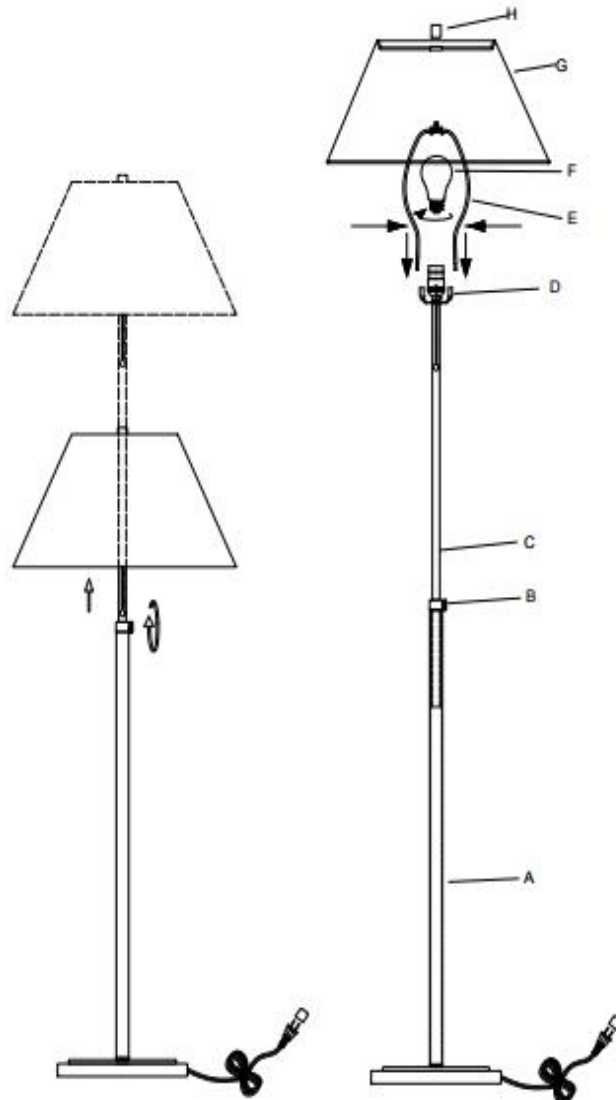




ASSEMBLY INSTRUCTIONS

Vanna Floor Lamp

SCH-166095



1. Carefully remove all lamp parts from the box .
2. Loosen the Nut (B) then Pull the Tube (C) adjust to the height desired
3. Tighten the Nut (D)
4. Insert the Harp(E) into the Saddle(D)
5. Put the Shade (G) onto Harp (E) then tighten with Finial (H)
6. Insert the Bulb(F), Not included.