




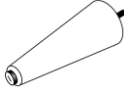
## ASSEMBLY INSTRUCTION

### CALLA CHEST

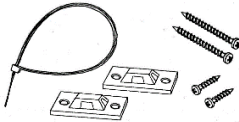
SCH-175008



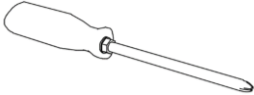
#### Component parts

<b>A</b>	Chest	1 pc	
<b>B</b>	Leg	4 pcs	

#### Hardware

<b>C</b>	Anti-Tip Kit	2 set	
----------	--------------	-------	--

#### Tool required (Not Included)

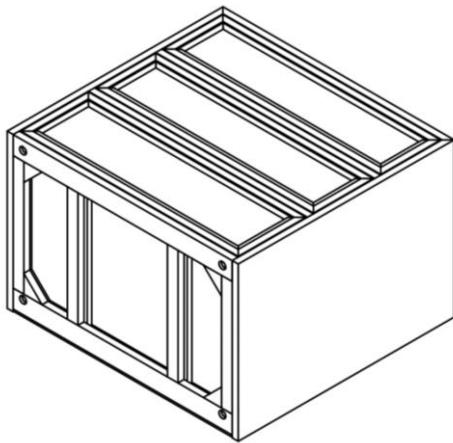
<b>D</b>	Screwdriver	1 pc	
----------	-------------	------	--



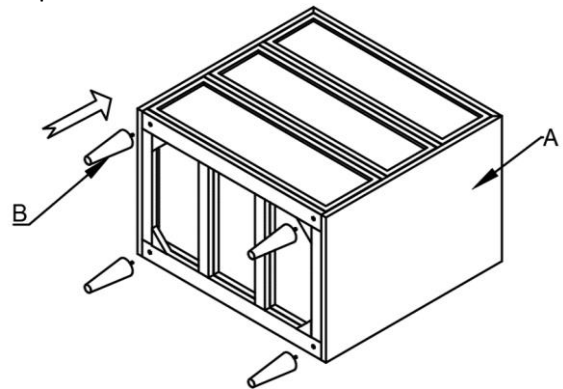
**Important Notes:**

Lay the product gently on top of rug or soft surface then insert each leg (B) into female insert below and turn them clockwise until tight. Then insert each adjuster glide (C) into female insert on the bottom of each leg and turn them clockwise until tight.

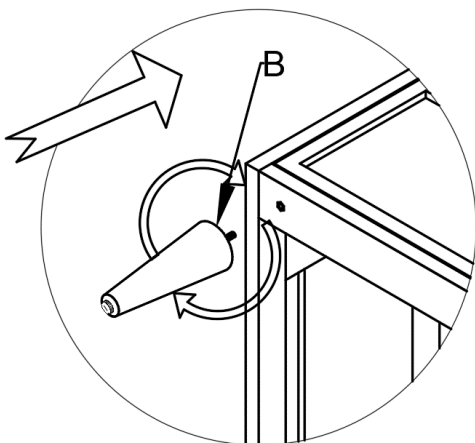
Before



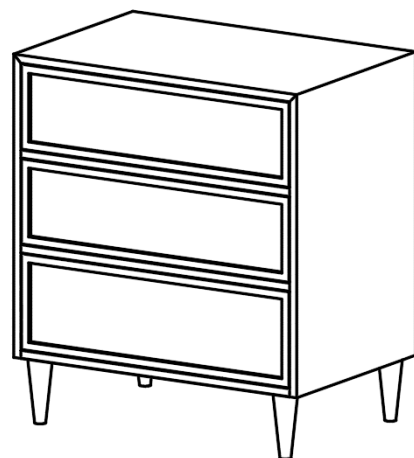
Step 1



Step 2



After



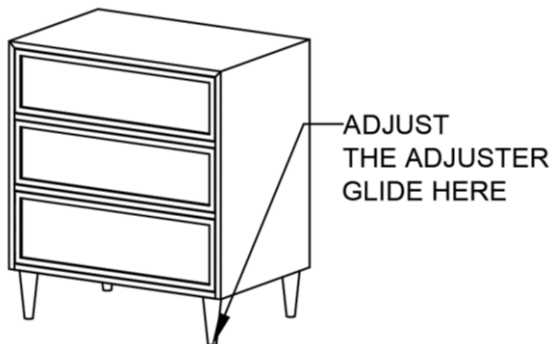


**Important Notes:**

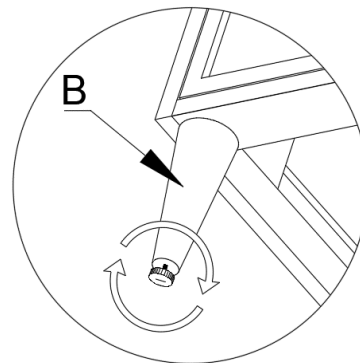
**For Adjuster Glide:** If the floor is uneven adjust the leveler located at the underside of the feet, to do this lift the side that need to be elevated to provide access to the levelers, turn the leveler until adequate contact with the floor.

**For Anti-Tip Kit:** Attach the brackets (C) horizontally to the back of the cabinet using the small screws (A). Screw the remaining brackets (C) vertically 1 inch below the brackets attached to the cabinet using the large screws (B). The large screws (B) should be screwed into a stud in the wall. Align the brackets vertically and string in the retention belt (D). Confirm strap is securely laced and locked.

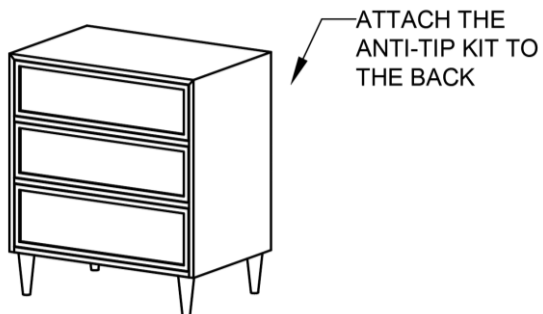
Step 1 (Adjuster Glide)



Step 2 (Adjuster Glide)



Step 1 (Anti-Tip Kit)



Step 2 (Anti-Tip Kit)

