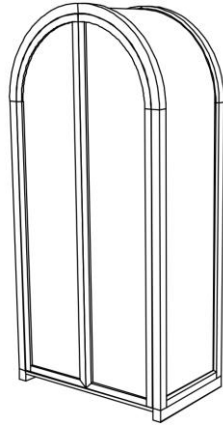




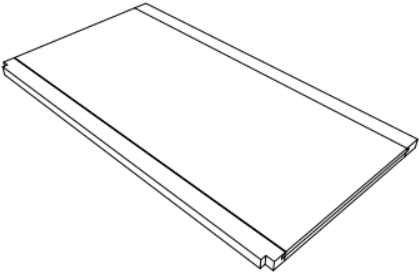

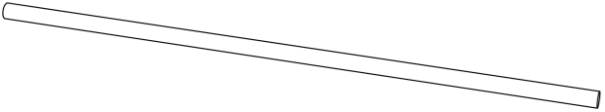
## ASSEMBLY INSTRUCTION

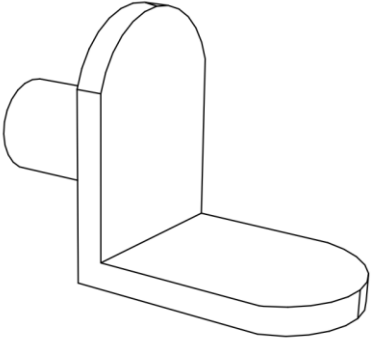
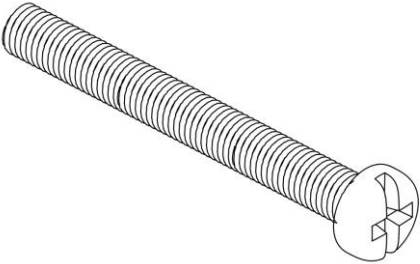
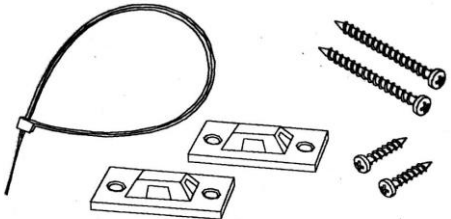
### ELBA CABINET

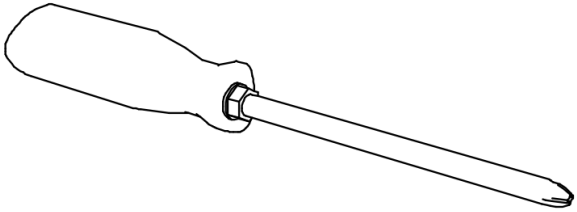
SCH-170430



#### Component parts

<b>A</b>	Wooden Shelf	2 pcs	
<b>B</b>	Handle	2 pcs	
<b>C</b>	Hanging Rod	1 pc	

Hardware			
C	Pin Shelf	8 pcs	
D	Bolt	4 pcs	
E	Anti-Tip Kit	2 set	

Tool Required (Not Included)			
	Screwdriver	1 pc	

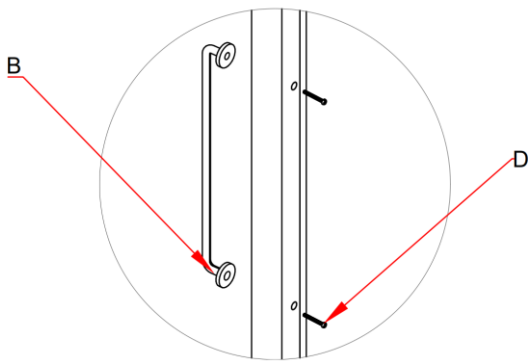




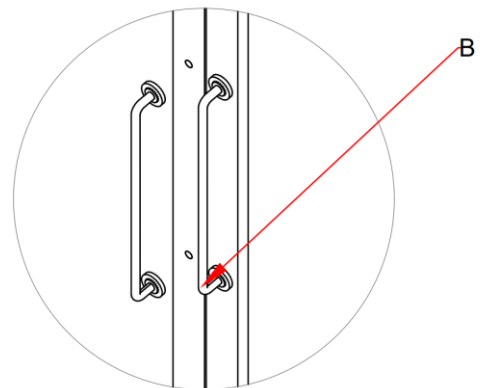
**Important Notes:**

**For Bolt:** Insert bolt into female insert in both handles (B) and turn the bolt (D) clockwise using Philip screwdriver until tight, do the same steps to the remaining bolts.

Step 1 (Bolt)

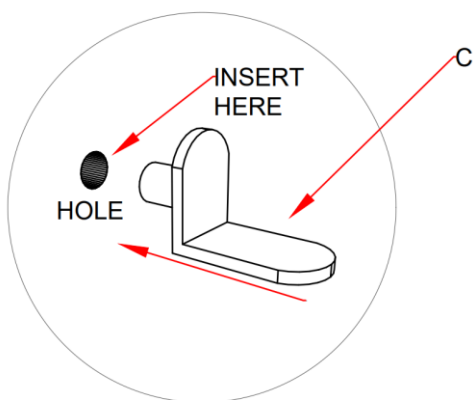


Step 2 (Bolt)

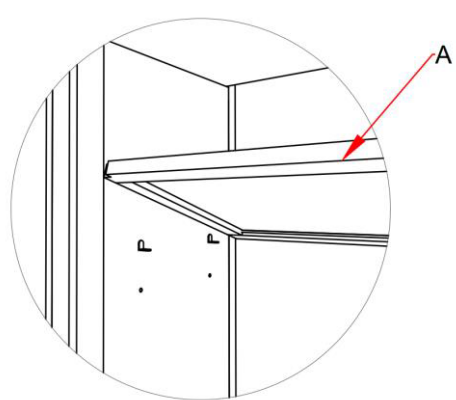


**For Pin Shelf:** Insert each nail glide (C) into each female insert of the inside of the cabinet and put the wood shelf (A) on top of the nail glides.

Step 1 (Pin Shelf)



Step 2 (Pin Shelf)

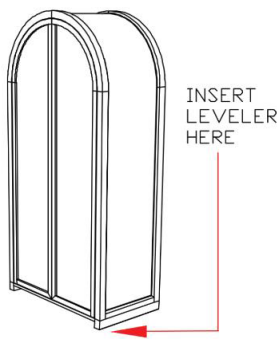




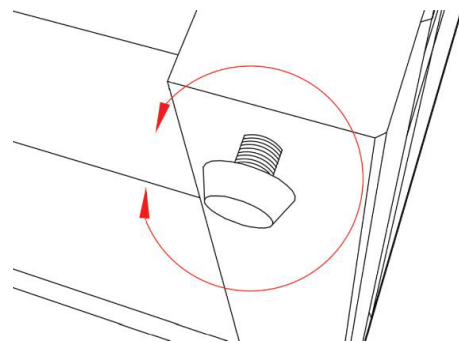
**Important Notes:**

**For Leveler:** If the floor is uneven adjust the levelers located at the underside of the feet, to do this lift the side that need to be elevated to provide access to the levelers, turn the leveler until adequate contact with the floor.

Step 1 (Leveler)

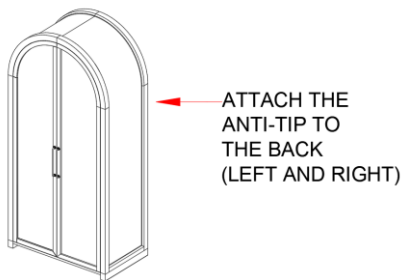


Step 2 (Leveler)

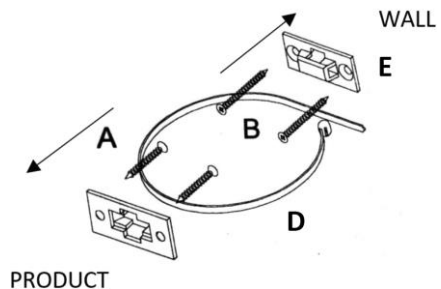


**For Anti-Tip Kit:** Attach the brackets (C) horizontally to the back of the cabinet using the small screws (A). Screw the remaining brackets (C) vertically 1 inch below the brackets attached to the cabinet using the large screws (B). The large screws (B) should be screwed into a stud in the wall. Align the brackets vertically and string in the retention belt (D). Confirm strap is securely laced and locked.

Step 1 (Anti-Tip Kit)



Step 2 (Anti-Tip Kit)

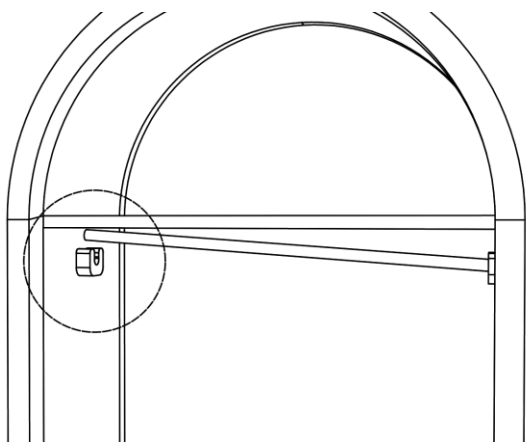




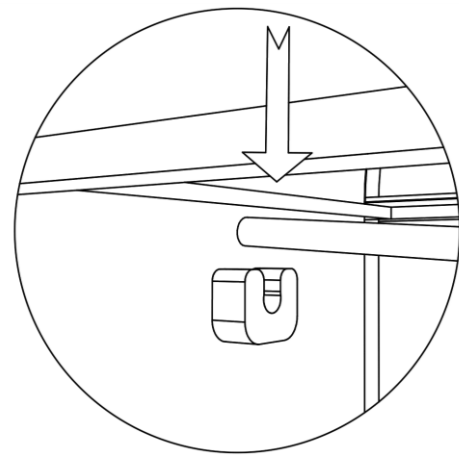
**Important Notes:** Maximum weight 100 lbs.

**For Hanging Rod:** Prepare the hanging rod provided. Insert one of both sides first to assemble the hanging rod in hanging rod holder. Then insert the other side. The cabinet is ready to use.

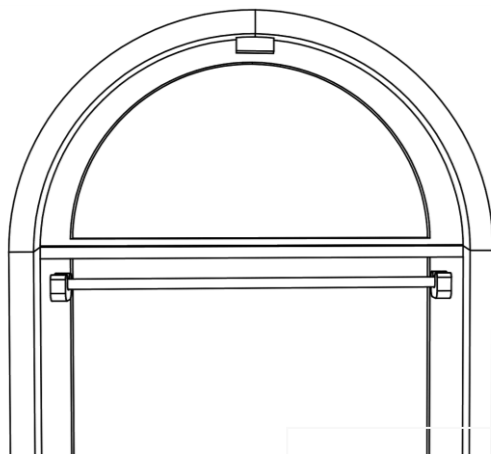
Step 1 (Hanging Rod)



Step 2 (Hanging Rod)



Step 3 (Hanging Rod)



Step 4 (Hanging Rod)

