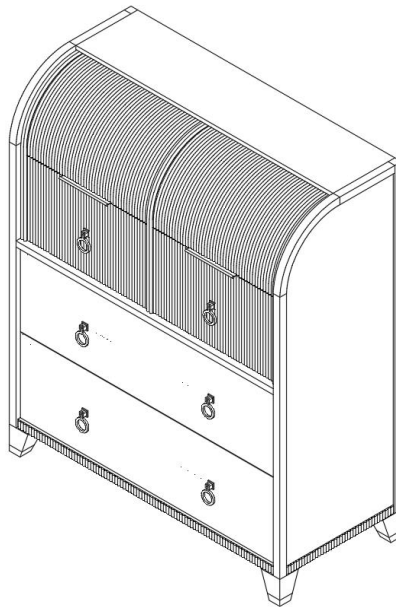




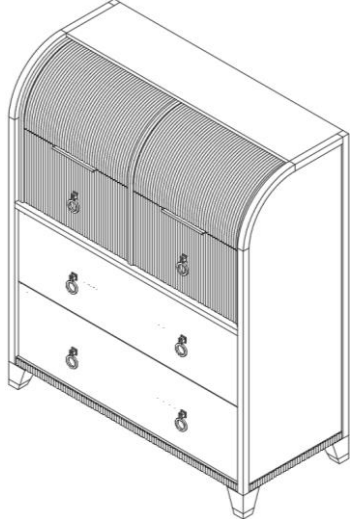
ASSEMBLY INSTRUCTION

MAISON CHEST

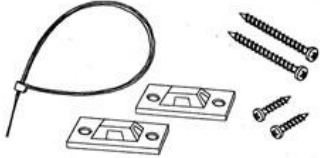
SCH-192401

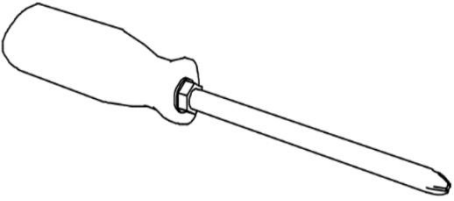


Component Parts

A	Chest	1 pc	
----------	-------	-------------	--



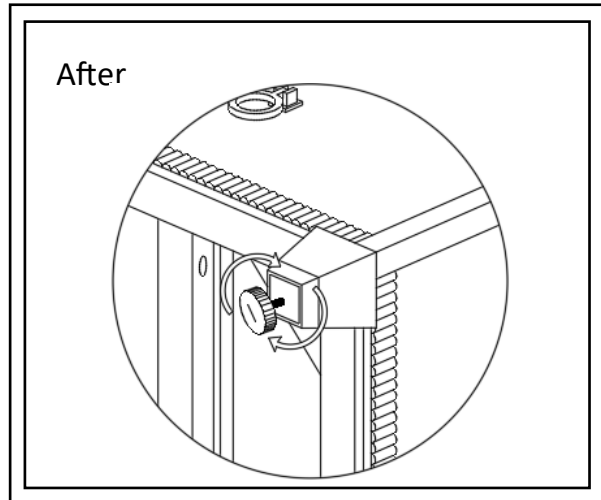
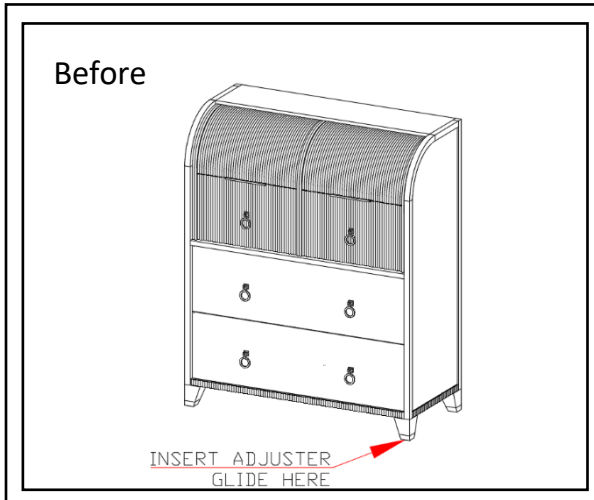
Hardware			
B	Anti-Tip Kit	2 pcs	

Tool required (Not Included)			
C	Screwdriver	1 pc	



Important Notes:

For Leveler: If the floor is uneven adjust the levelers located at the underside of the feet, to do this lift the side that need to be elevated to provide access to the levelers, turn the leveler until adequate contact with the floor.



For Anti-Tip Kit: Attach the brackets (C) horizontally to the back of the chest using the small screws (A). Screw the remaining brackets (E) vertically 1 inch below the brackets attached to the chest using the large screws (B). The large screws (B) should be screwed into a stud in the wall. Align the brackets vertically and string in the retention belt (D). Confirm strap is securely laced and locked.

